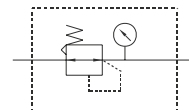


REGULATOR SERIES MAR200, MAR302, MAR401 AND MAR501



Pressure regulators are used to reduce pressure to working pressure, which is automatically held on the selected value. By using an optimal pressure, longer lifetime of pneumatic components can be reached as well as resources necessary for production of compressed air can be saved.



Port size	MAR200	MAR302			MAR401			MAR501	
	G1/4"	G1/4"	G3/8"	G1/2"	G1/4"	G3/8"	G1/2"	G3/4"	G1"
Primary pressure [MPa]	0,05 to 0,99	0,05 to 0,99			0,1 to 1,5			0,1 to 1,5	
Secondary pressure [MPa]	0,05 to 0,85	0,05 to 0,85			0,1 to 0,85			0,1 to 0,85	
Test pressure [MPa]	1,5	1,5			2,0			2,0	
Temperature range [°C]	-5 to +60	-5 to +60			-5 to +60			-5 to +60	
Weight [kg]	0,20	0,27			0,45			1.46	
Supply contains	gauge (PPG-40, R1/8"), bracket	gauge (PPG-20)*, bracket			gauge (PPG-20)*, bracket			gauge (PPG-20)*, bracket	

*) Gauge PPG-40 can only be used with a threaded adapter, order code PA-MAR302 (for series 302 and 501) or order code PA-MAR401 (for series 401), see page 8-26

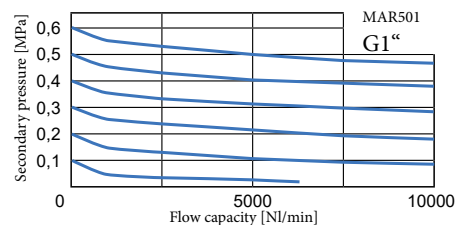
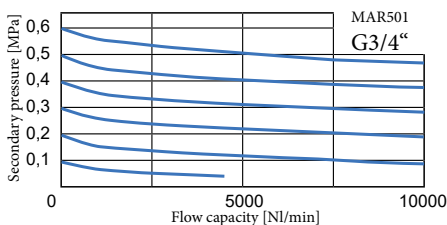
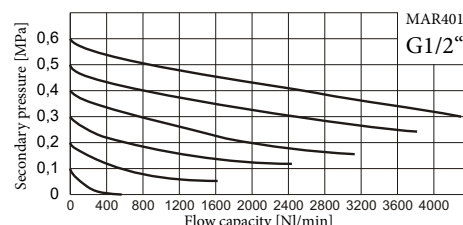
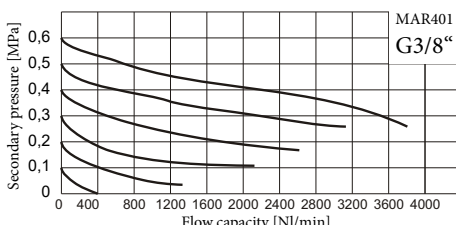
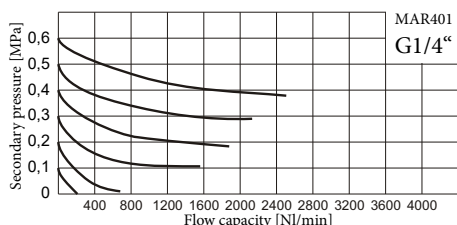
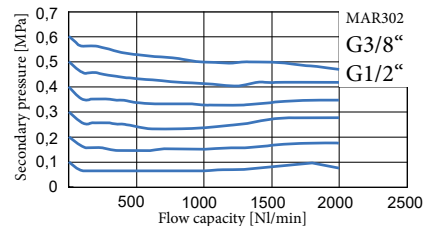
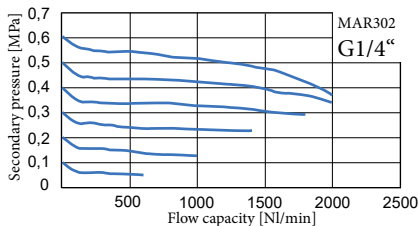
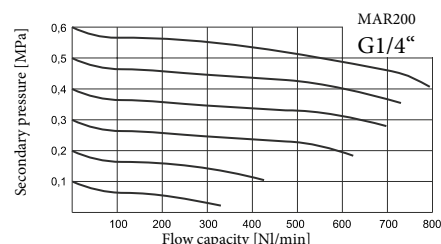
Order codes

PMAR200-8A – BSP

Port size	
200-8A	G1/4"
302-8A	G1/4"
302-10A	G3/8"
302-15A	G1/2"
401-8A	G1/4"
401-10A	G3/8"
401-15A	G1/2"
501-20A	G3/4"
501-25A	G1"

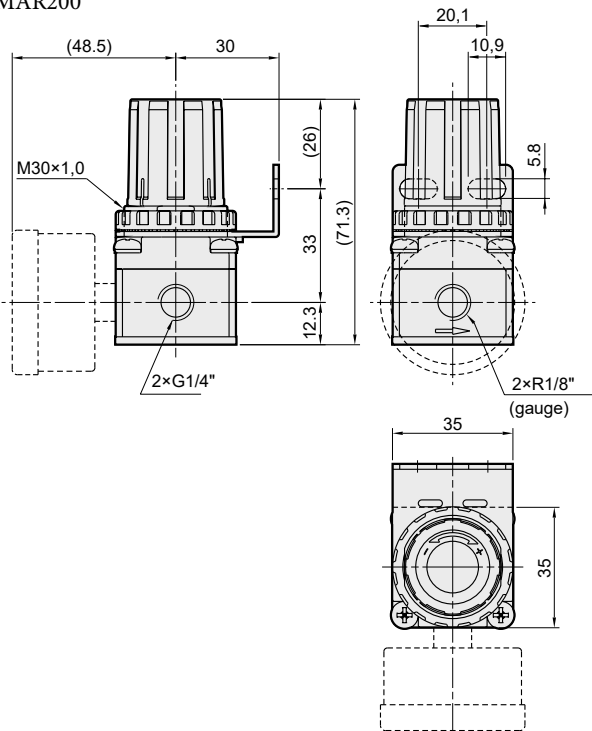
Flow capacity

Flow rates at primary pressure 0,7 MPa

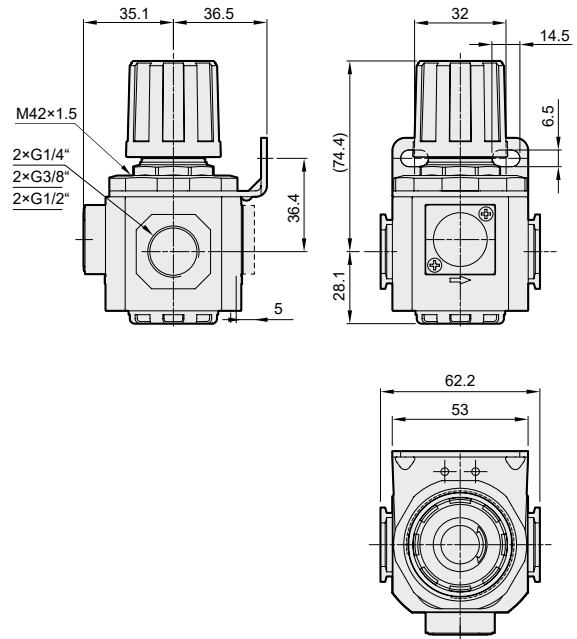


Dimensions

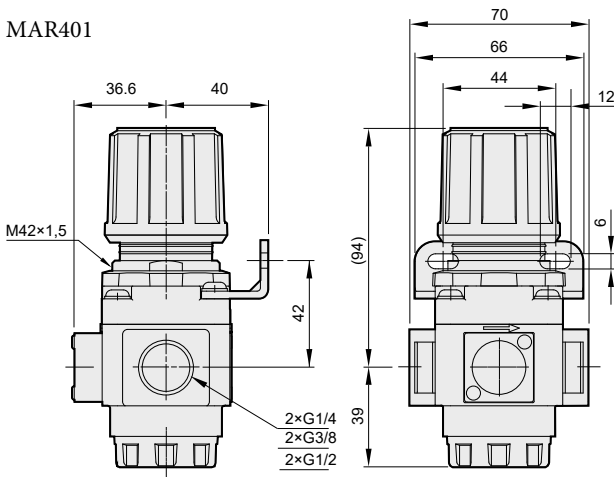
MAR200



MAR302



MAR401



MAR501

