

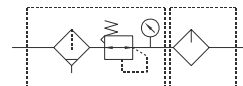
FRL AIR PREPARATION UNIT SERIES MACP501



STRÁNSKÝ A PETRŽÍK



FRL series which supplement series MACP401. Also this series features by robust construction with polycarbonate or nylon bowls with plastic guards, or metal bowls. These reasonable units with 40 µm filter element will find usage in wide range of applications, where the high flow is necessary.



Port thread	G3/4"	G1"
Primary pressure [MPa]	semiautomatic drain: 0,05 to 1,0 (polycarbonate and nylon bowls), 0,05 to 1,5 (metal bowls) automatic drain: 0,15 to 1,0	
Secondary pressure [MPa]	0,1 to 0,85	
Test pressure [MPa]	1,5 (polycarbonate and nylon bowls), 2,0 (metal bowls)	
Temperature range [°C]	-5 to +60	
Filter element [µm]	40	
Oil bowl capacity [l]	0,2	
Min. lubricator flow [Nl/min]	25	33
Weight [kg]	3.48 (polycarbonate and nylon bowls), 3.72 (metal bowls)	
Supply contains	gauge (PPG-20),* bracket	

*) Gauge PPG-40 can only be used with a threaded adapter, order code PA-MAR302, see page 8-26

Order codes

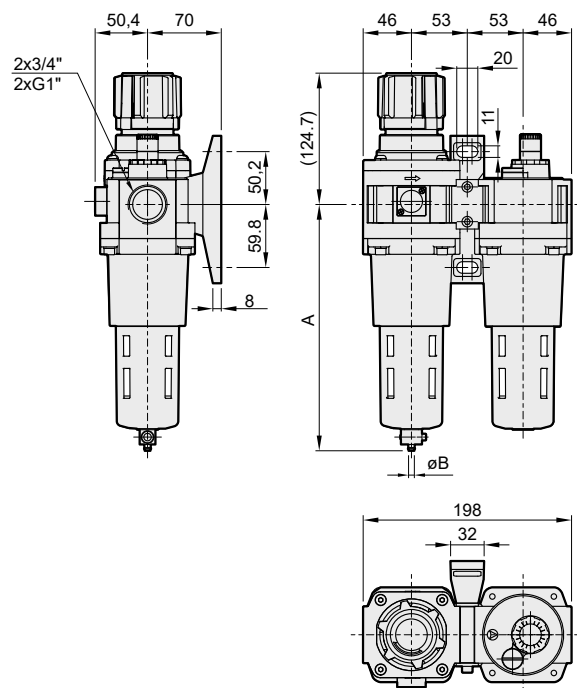
PMACP501-20A M = BSP

Port size		Bowl		Condensation draining	
20A	G3/4"		polycarbonate	-	semiautomatic
25A	G1"	N	nylon	D	automatic
		M	metal		

i Semiautomatic condensation draining automatically drains when the primary pressure drops under 0,05 MPa.

i For additional accessories, replacement filter elements and bowls, see page 8-25.

Dimensions



Semiautomatic condensation draining

Bowl	A	B - inner tube ø
polycarbonate	233,8	6
nylon		
metal	231,4	5

Automatic condensation draining

Bowl	A	B - outer tube ø
polycarbonate	243,3	8
nylon		
metal	243,3	8

Flow capacity

Flow rates at primary pressure 0,7 MPa

