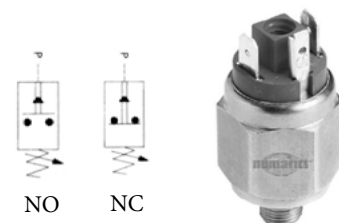


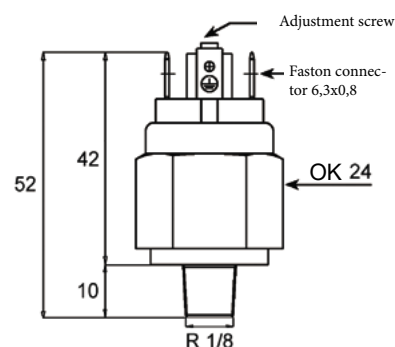


Pressure switch PS31

Description	Value
Housing material	brass (u NPS3120234 passivated steel)
Diaphragm	FKM (Viton®)
Working medium	air, water, mineral hydraulic oil and other
Electric contacts	silver plated
Max. switched voltage [V]	250, 50-60 Hz
Max. switched current [A]	2 for ohmic load, 0,5 for inductive load
Max. fluid temperature [°C]	120
Anticipated min. cycles	1 million
Enclosure rating	IP00 without connector IP54 resp. IP65 with connector
Weight [kg]	0,07



Order codes type NO - normally open	Order codes type NC - normally closed	Thread	Pressure [MPa]	Tolerance at 20 °C [MPa]	Max. static pressure [MPa]
NPS3121231	NPS3111231	R1/8"	0,01 to 0,10	± 0,01	8,0
NPS3121232	NPS3111232	R1/8"	0,1 to 0,5	± 0,03	8,0
NPS3121233	NPS3111233	R1/8"	0,1 to 1,6	± 0,05	8,0
NPS3120234	NPS3110234	R1/8"	2,0 to 5,0	± 0,2	30,0



Connector for switch PS31

Order codes	Enclosure rating
NPCPS3165	IP65



Protection cap for switch PS31

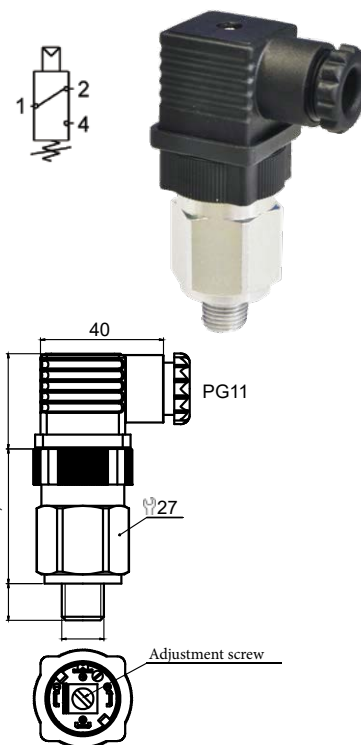
Order codes	Enclosure rating
NPCPS3154	IP54



Pressure switch 27N with hysteresis

Description	Value
Housing material	brass, zinc plated steel for switch with pressure range 1-5 MPa
Diaphragm	FKM
Working medium	air, water
Electric contacts	silver plated
Max. switched voltage [V]	250, 50-60 Hz
Max. switched current [A]	6 for ohmic load, 2 for inductive load
Max. fluid temperature [°C]	100
Anticipated min. cycles	1 million
Enclosure rating	IP00 without connector, IP65 with connector
Hysteresis	30% of setting value
Weight [kg]	0,13

Order codes	Thread	Pressure [MPa]	Tolerance at 20 °C [MPa]	Max. static pressure [MPa]
N27N21121	R1/8"	0,1 to 0,5	± 0,03	8,0
N27N21122	R1/8"	0,1 to 1,0	± 0,05	8,0
N27N20123	R1/8"	1,0 to 5,0	± 0,2	30,0



i Supply contains connector.