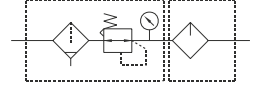




The new FRL unit series is interesting for its robust metal construction inclusive metal bowls with level indicator at first sight. Countersunk gauge isn't predisposed to damage. These accessible units with good flow capacity and 5 µm filter element will find exercise in many applications.



Port thread	G1/4"	G3/8"	G1/2"
Primary pressure [MPa]	0,05 to 1,5 for semiautomatic drain, 0,15 to 1,0 for automatic drain		
Secondary pressure [MPa]	0,1 to 0,85		
Test pressure [MPa]	2,0		
Temperature range [°C]	-5 to +60		
Filter element [µm]	5		
Oil bowl capacity [l]	0,2		
Min. lubricator flow [Nl/min]	30	65	80
Weight [kg]	1,52		
Supply contains	gauge (PPG-20)*, bracket (elbow)		

*) Gauge PPG-40 can only be used with a threaded adapter, order code PA-MAR401, see page 8-26

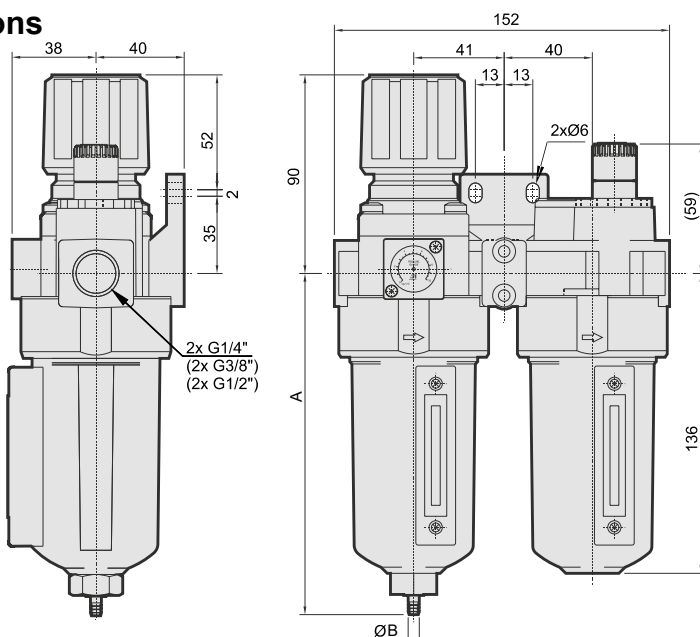
Order codes

PMACP401 – 8A – 5u – BSP

Port size		Condensate draining	
8A	G1/4"	-	semiautomatic
10A	G3/8"	D	automatic
15A	G1/2"		

- i** Semiautomatic condensation draining automatically drains when the primary pressure drops under 0,05 MPa.
- i** The unit can be placed with the inlet on the right or on the left.
- i** For additional accessories, replacement filter elements and bowls, see page 8-25.

Dimensions



Semiautomatic condensation draining

Automatic condensation draining

A	B - inner tube ø
154	5

A	B - outer tube ø
166	8

Flow capacity

