

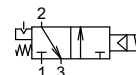
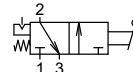
SHUTOFF VALVE SERIES MVHR302 AND MVHR400



STRÁNSKÝ A PETRŽÍK



Shutoff valve is an easy and inexpensive way to add shutoff capability to an FRL unit. It allows the air supply to be closed and MVHR models can be operated either manually or by a solenoid valve. When the supply is closed, the compressed air is exhausted from the circuit behind the valve. Both positions of the manually operated model can be locked (padlock not included), which will contribute to safety during maintenance or adjustment. The valve is designed to be assembled with other air conditioning elements (using the couplings) or can be used separately. Size 302 is suitable for all elements of the MA**302 series, size 400 is then for MA**401 and MA**403.



Port size	MVHR302			MVHR400		
	G1/4"	G3/8"	G1/2"	G1/4"	G3/8"	G1/2"
Valve type	3/2 (residual pressure release)					
Pressure range [MPa]	manual type: 0,1 to 1,0, solenoid type: 0,15 to 1,0					
Temperature range [°C]	-5 to +60					
Voltage [V]	24V AC ±10%, 230V AC ±10%, 24V DC ±10%					
Power consumption [W, VA]	6/4.9VA for AC (inrush/hold), 2W for DC voltage					
Weight [kg]	manual type: 0,30, solenoid type: 0,38			manual type: 0,31, solenoid type: 0,38		
Supply contains	without lock, without connection plate, bracket (optional - see order code)					

Order codes

PMVHR 302 S 10A A220 L B

Series		Control		Voltage		Connector		Accessories	
302	series 302		manual type		none (manual type)		standard		without
4	series 401, 403	S	solenoid type	D24	24 V DC ± 10%	L	with LED	B	bracket
				A220	230 V AC ± 10%, 50-60 Hz	Note: EEx m II T4 coil is available on request			
				A24	24 V AC ± 10%, 50-60 Hz				

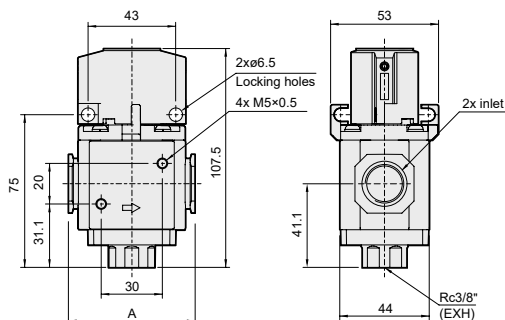
Port size	
8A	G1/4"
10A	G3/8"
15A	G1/2"



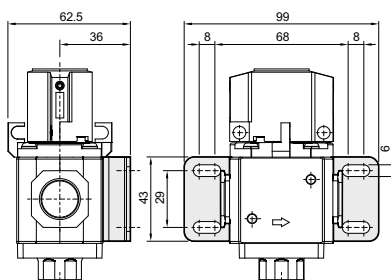
Valve can be used standalone, or should be attached using connection plate order code PMACP302-C or PMACP302-CBS with other units of series 302, or attached using connection plate order code PMACP401-C or PMACP401-CBS with other units of series 401.

Dimensions

MVHRx - manual type



MVHRx - bracket dimensions



MVHRxS - solenoid type

