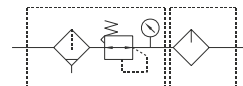




The new FRL unit series with robust metal construction with polycarbonate or nylon bowls with plastic guards, or with metal bowls. High flow rate and 5 µm filter element predestine these units for all smaller applications.



Port thread	G1/4"	G3/8"	G1/2"
Primary pressure [MPa]	0,05 to 1,0 for semiautomatic drain, 0,15 to 1,0 for automatic drain		
Secondary pressure [MPa]	0,05 to 0,85		
Test pressure [MPa]	1,5		
Temperature range [°C]	-5 to +60		
Filter element [µm]	5		
Oil bowl capacity [l]	0,065		
Min. lubricator flow [NI/min]	50	60	60
Weight [kg]	0,85		
Supply contains	gauge (PPG-20)*, bracket (T-shaped)		

\*) Gauge PPG-40 can only be used with a threaded adapter, order code PA-MAR302, see page 8-26

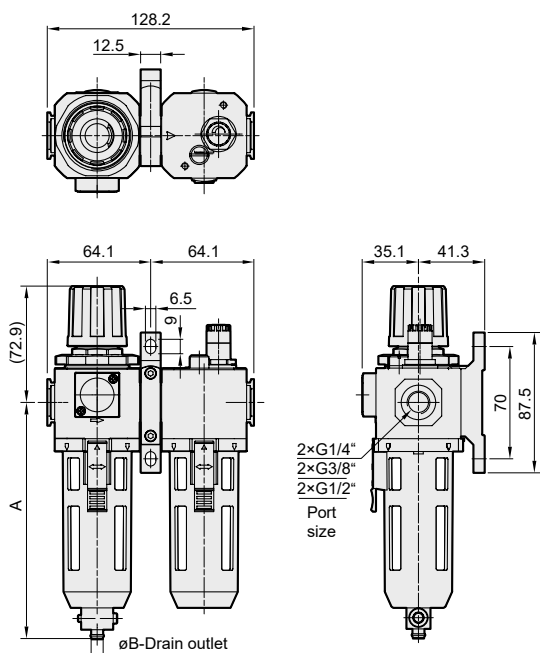
### Order codes

PMACP302 – 8A M = BSP

Port size		Bowl		Condensation draining	
8A	G1/4"		polycarbonate	–	semiautomatic
10A	G3/8"	N	nylon	D	automatic
15A	G1/2"	M	metal		

- i** Semiautomatic condensation draining automatically drains when the primary pressure drops under 0,05 MPa.
- i** The unit can be placed with the inlet on the right or on the left.
- i** For additional accessories, replacement filter elements and bowls, see page 8-25.

## 8 Dimensions



#### Semiautomatic condensation draining

Bowl	A	B - inner tube ø
polycarbonate	147,1	6
nylon	147,2	6
metal	147,2	5

#### Automatic condensation draining

Bowl	A	B - outer tube ø
polycarbonate	156,6	8
nylon	156,6	8
metal	159,1	8

### Flow capacity

Flow rates at primary pressure 0,7 MPa

