

COALESCING FILTERS SERIES MAF302, MAF401 AND MAF501



The coalescing filter is utilized when either clean air is required or longer component life is desired. This type of filter removes water and oil aerosols. It works differently than the particulate filter; dirty air enters the element from the centre and passes through a field of glass fibres which cause the aerosols to form into droplets which are heavier than the surrounding air. The droplets grow larger as they pass through the element and gravity causes the oil drops to drain to the sump of the bowl. By removing the harmful oil varnishes and contaminant that attack seals and gaskets, the valve or cylinder is much less likely to stick. To maximize the life of a coalescing filter it should always be used after a 5 micron particulate filter. Series 401 has got metal bowl with sight glass and series 302 and 501 have got polycarbonate, nylon or metal bowl.



Series Port size		MAF302			MAF401			MAF501	
		G1/4"	G3/8"	G1/2"	G1/4"	G3/8"	G1/2"	G3/4"	G1"
Flow at 0,7 MPa ($\Delta p=0,03$ MPa) [Nl/min]	filter element 0,3 μ m	1100	1800	2000	1250	1900	2300	6000	7000
	filter element 0,01 μ m	1000	1700	1800	1200	1850	2200	5000	6000
Primary pressure [MPa] for semiautomatic drain		0,05 to 1			0,05 to 1,5			0,05 to 1 and 0,05 to 1,5 for metal bowl	
Primary pressure [MPa] for automatic drain		0,15 to 1			0,15 to 1			0,15 to 1	
Test pressure [MPa]		1,5			2			1,5 and 2 for metal bowl	
Temperature range [°C]		-5 to +60			-5 to +60			-5 to +60	
Filter element [μ m]		0,3 and 0,01			5, 0,3 and 0,01			0,3 and 0,01	
Drain capacity [cm ³]		35			70			75 and 70 for metal bowl	
Weight [kg]		0,37			0,48			1,18 and 1,3 for metal bowl	
Supply contains		bracket (C-type)			bracket (C-type)			bracket (L-type)	

Order codes

Series MAF302

PMAF302 D - 10A - N D - B-G

Filter element		Port size		Bowl		Condensation draining	
D	0,3 μ m	8A	G1/4"		polycarbonate		semiautomatic
M	0,01 μ m	10A	G3/8"	N	nylon	D	automatic
		15A	G1/2"	M	metal		

i Semiautomatic condensation draining automatically drains when the primary pressure drops under 0,05 MPa.

i Replace filter element at least once per year or when pressure drop reaches 0,07 MPa.

Series MAF401

PMAF401 D - 10A - D - B-G

Filter element		Port size		Condensation draining	
D	0,3 μ m	8A	G1/4"		semiautomatic
M	0,01 μ m	10A	G3/8"	D	automatic
		15A	G1/2"		

i For additional accessories, replacement filter elements and bowls, see page 8-25.

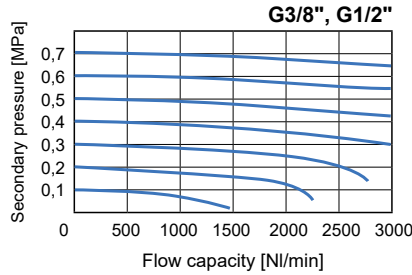
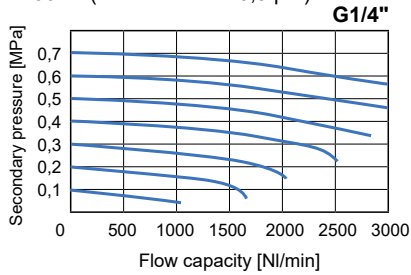
Series MAF501

PMAF501 D - 20A - N D - B-G

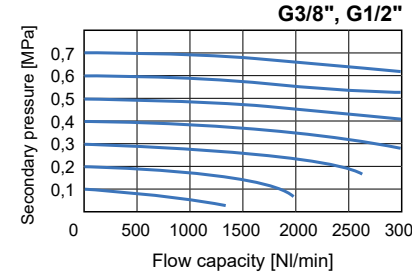
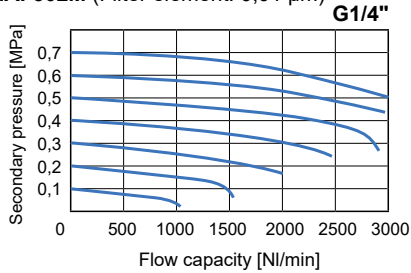
Filter element		Port size		Bowl		Condensation draining	
D	0,3 μ m	20A	G3/4"		polycarbonate		semiautomatic
M	0,01 μ m	25A	G1"	N	nylon	D	automatic
				M	metal		

Flow capacity

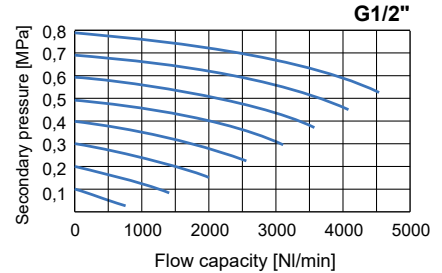
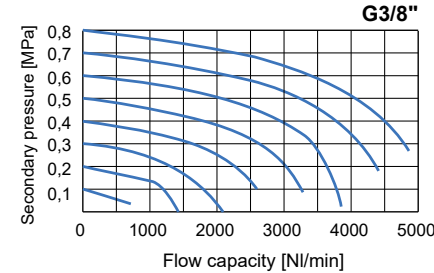
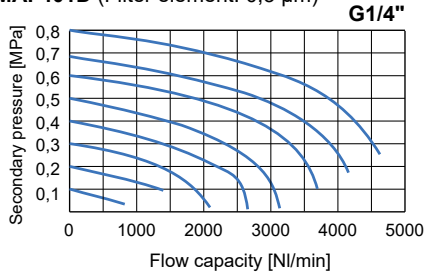
MAF302D (Filter element: 0,3 µm)



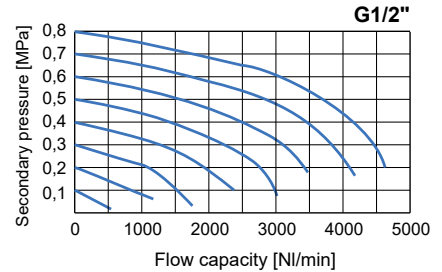
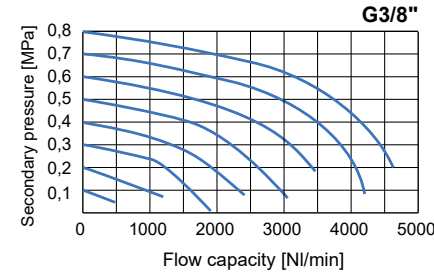
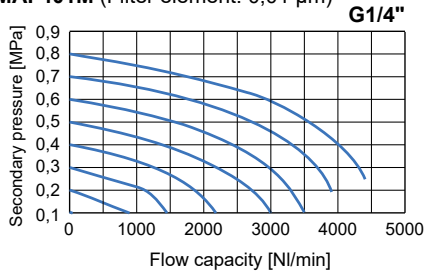
MAF302M (Filter element: 0,01 µm)



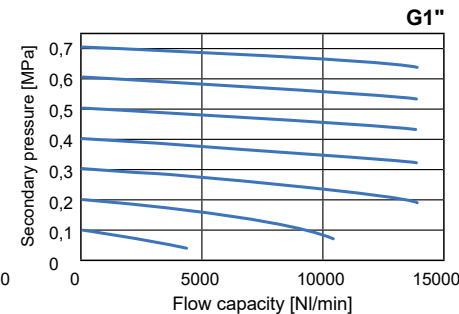
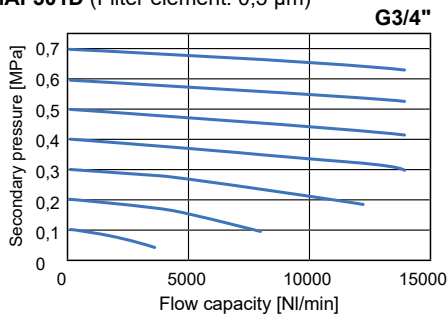
MAF401D (Filter element: 0,3 µm)



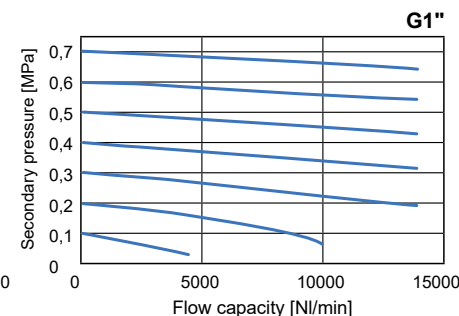
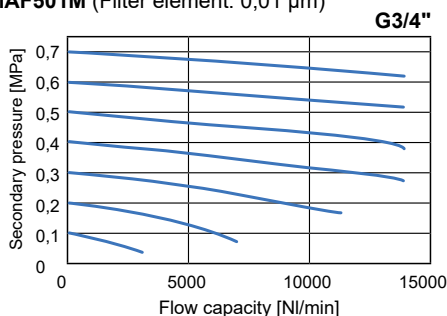
MAF401M (Filter element: 0,01 µm)



MAF501D (Filter element: 0,3 µm)



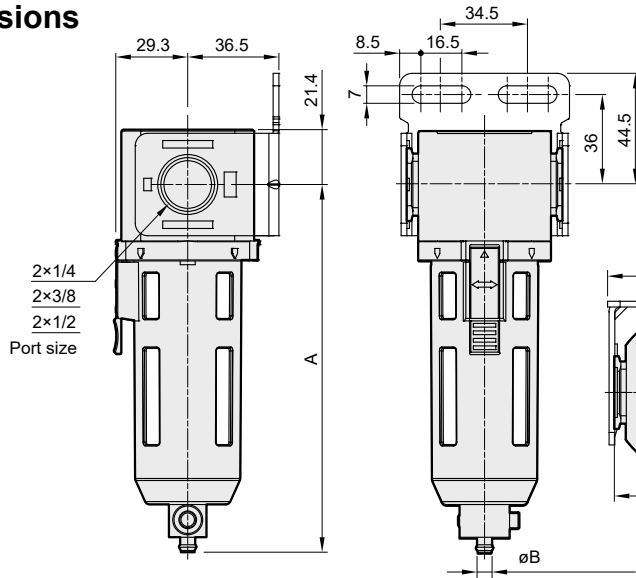
MAF501M (Filter element: 0,01 µm)



COALESCING FILTERS SERIES MAF302, MAF401 AND MAF501

Dimensions

MAF302



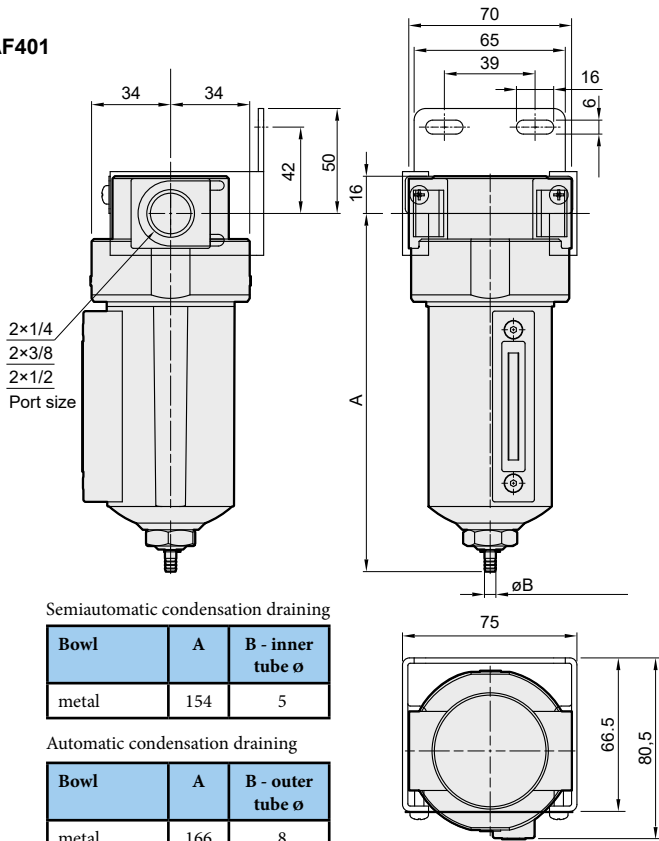
Semiautomatic condensation draining

Bowl	A	B - inner tube ø
polycarbonate	147,1	6
nylon		
metal	147,2	5

Automatic condensation draining

Bowl	A	B - outer tube ø
polycarbonate	156,6	8
nylon		
metal	159,1	8

MAF401



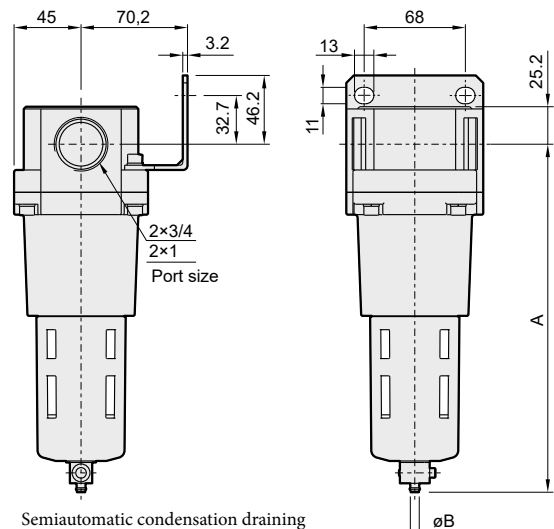
Semiautomatic condensation draining

Bowl	A	B - inner tube ø
metal	154	5

Automatic condensation draining

Bowl	A	B - outer tube ø
metal	166	8

MAF501



Semiautomatic condensation draining

Bowl	A	B - inner tube ø
polycarbonate	233,8	6
nylon		
metal	231,4	5

Automatic condensation draining

Bowl	A	B - outer tube ø
polycarbonate	243,3	8
nylon		
metal	243,3	8