

LUBRICATOR SERIES MAL302, MAL401 AND MAL501



Usually mounted third in the FRL Series, the lubricator is designed to inject oil aerosols into the airstream of a pneumatic circuit. Series 401 has got metal bowl with sight glass and series 302 and 501 have got polycarbonate or nylon bowl with plastic guard or metal bowl.



Port size	MAL302			MAL401			MAL501	
	G1/4"	G3/8"	G1/2"	G1/4"	G3/8"	G1/2"	G3/4"	G1"
Flow at 0,7 MPa ($\Delta p=0,03\text{MPa}$) [NI/min]	910	1100	1100	1200	2000	2100	11000	11000
Primary pressure [MPa]	0 to 0,99			0 to 1,5			0 to 1 (0 to 1,5)*	
Test pressure [MPa]	1,5			2			1,5 (2)*	
Temperature range [°C]	-5 to +60			-5 to +60			-5 to +60	
Min. lubricator flow [NI/min]	50	60	60	30	65	80	25	33
Oil bowl capacity [l]	0,065			0,2			0,2	
Weight [kg]	0,35			0,545			1,26 (1.38)*	
Supply contains	bracket (C-shaped)			bracket (C-shaped)			bracket (elbow)	

*) Values in the brackets are valid for metal bowl for series 501.

Order codes

PMAL401-10A – BSP

Port size	
401-8A	G1/4"
401-10A	G3/8"
401-15A	G1/2"

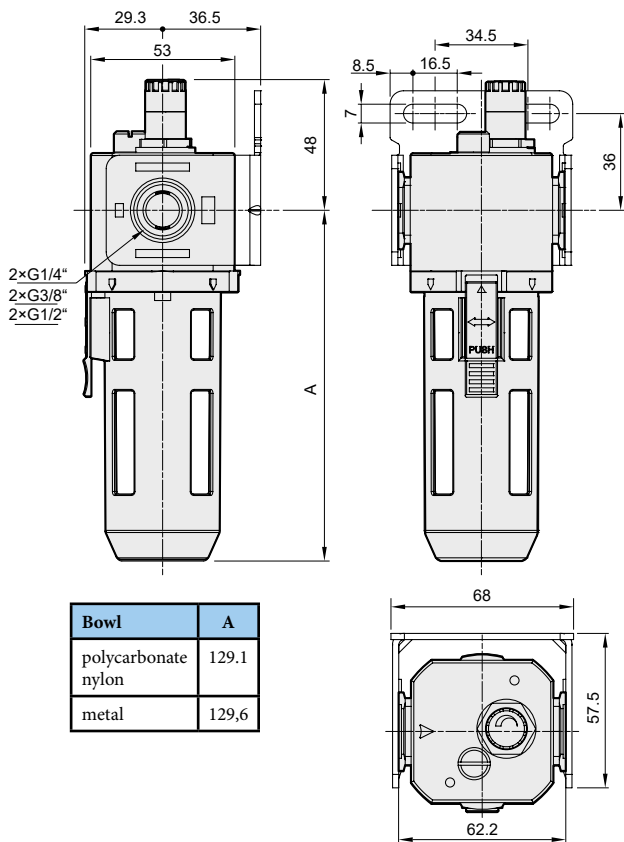
PMAL501-20A M – BSP

Port size		Bowl	
302-8A	G1/4"		polycarbonate
302-10A	G3/8"	N	nylon
302-15A	G1/2"	M	metal
501-20A	G3/4"		
501-25A	G1"		

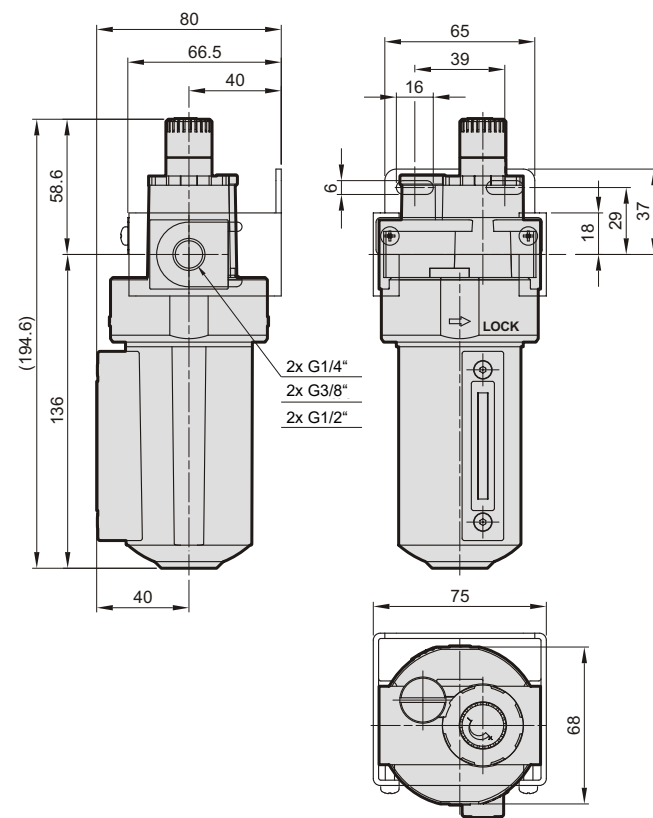
i For additional accessories, replacement filter elements and bowls, see page 8-25.

Dimensions

MAL302



MAL401



MAL501

