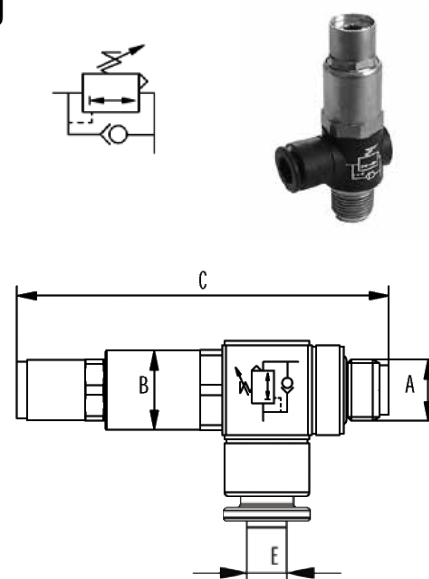
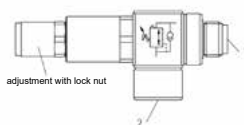




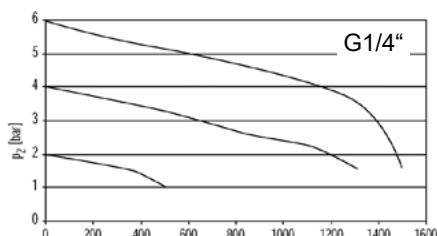
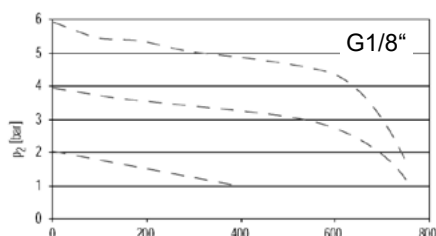
Unidirectional pressure regulators with push-in fitting

Order codes	E - For tube	A - Thread	B (OK)	C max.
NPRPG-004-000	4 / 2	G1/8"	17	73
NPRPG-006-000	6 / 4	G1/8"	17	73
NPRPG-006-001	6 / 4	G1/4"	17	81
NPRPG-008-000	8 / 6	G1/8"	17	73
NPRPG-008-001	8 / 6	G1/4"	17	81
NPRPG-010-001	10 / 8	G1/4"	17	81

Primary pressure	0.1 to 1.6 MPa
Secondary pressure	0.1 to 0.8 MPa
Temperature range	-10°C to +70°C
Working medium	modified compressed air



Flow capacity 1→2 at $p_1=0.7$ MPa



7 Quick exhaust valve

Order codes	D1 - Thread	L1	L2	L3	S1	Spare parts kit order code
NSEV05C	M5	5	16	25	10	NSEV05C-RK
NSEV10C	G1/8"	7.5	27	42	15	NSEV10C-RK
NSEV25C	G1/4"	11	35	54	19	NSEV25C-RK
NSEV37C	G3/8"	11	35	54	19	NSEV37C-RK
NSEV50C	G1/2"	14	45	72	26	NSEV50C-RK
NSEV75C	G3/4"	16.3	53	87	32	NSEV75C-RK
NSEV100C	G1"	18	70	108	46	NSEV100C-RK

Working pressure	0.1 to 1.0 MPa
Temperature range	-20°C to +70°C
Working medium	modified compressed air

Flow capacity at 0,6 MPa

Thread	M5	G1/8"	G1/4"	G3/8"	G1/2"	G3/4"	G1"
Flow P→A [Nl/min]	290	900	1300	1600	4200	5800	7700
Flow A→R [Nl/min]	340	1200	2500	2600	7400	12600	19000

