

HIGH FLOW PNEUMATICALLY ACTUATED VALVES



High flow valve series with flow capacity up to 28 000 NI/min is suitable for fast air supply of big appliances, or higher quantity of appliances which are supplied from common distribution. Valves are pilot operated, using smaller, standard pneumatic actuated valves ISO 5599/1. These pilot valves are designed for external supply of compressed air, however the common supply is possible, but in this case, please contact our technical dept.

This valve series contains rubber gaskets.

| Series | G1" | G1 1/2" |
|---|--|---------|
| Ports | G1" | G1 1/2" |
| Connection of external pressure supply port | G1/4" | |
| Connection of pilot (12,14) for pneumatic actuating | G1/8" | |
| Flow capacity [NI/min] | 16 000 | 28 000 |
| Working pressure [MPa] | 0 to 1.0 MPa when external pilot supply is used | |
| Pilot pressure range [MPa] | 0.2 to 0.7 | |
| Temperature range [°C] | medium temperature max. 50, ambient temperature -20 to +50 | |

6 Order codes

25 52 70 90 20 00 000 1

| Function | | |
|----------|--|----------------|
| 52 70 90 | | 5/2 monostable |
| 52 70 70 | | 5/2 bistable |

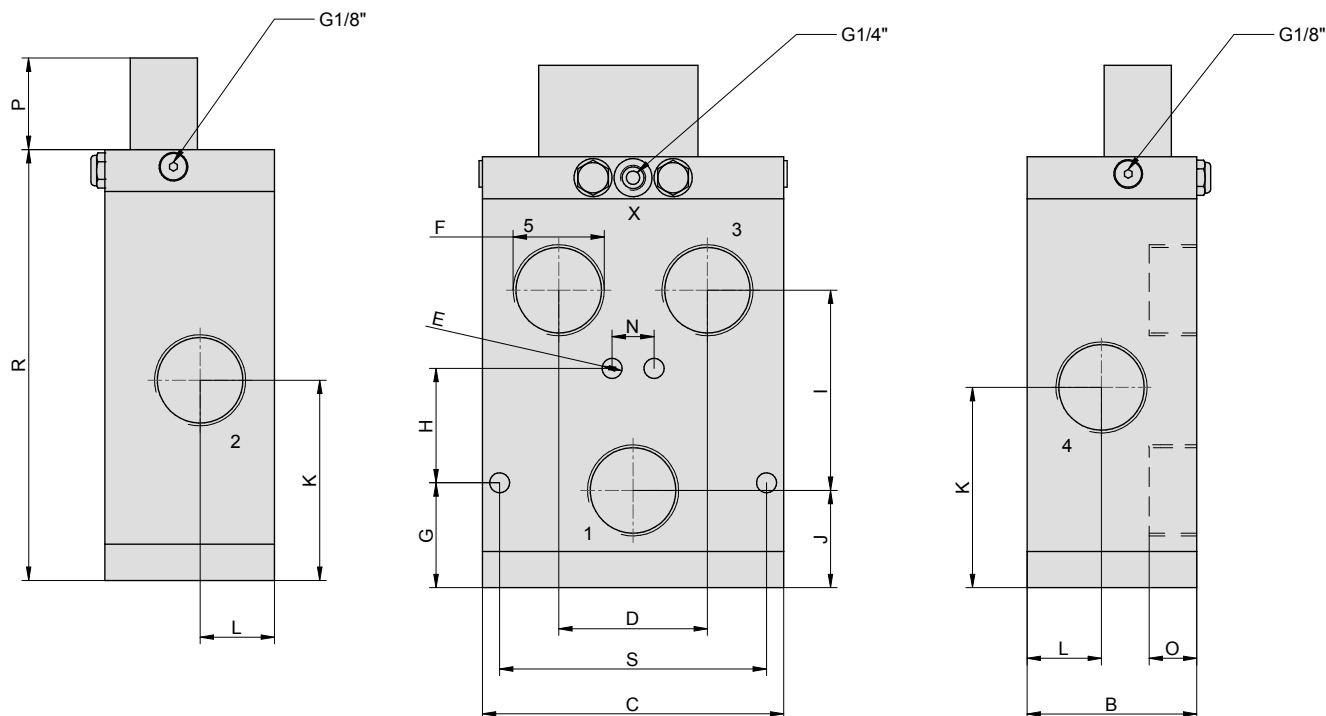
| Size | |
|------|---------|
| 14 | G1" |
| 20 | G1 1/2" |

| Voltage | |
|---------|---------------------------------|
| 00 | w/o coils (pneumatic actuating) |

| Pilot supply | |
|--------------|----------------------------------|
| 2 | external (from port X), standard |
| 1* | internal (from port 1) |

*) Please consult with our technical dept.

Dimensions



| Series | B | C | D | E | F | G | H | I | J | K | L | N | O | P | R | S | Weight [kg] |
|-------------|----|-----|----|------|---------|----|----|-----|----|-----|----|----|----|----|-----|-----|-------------|
| 52 70 x0 14 | 89 | 158 | 78 | 10.5 | G1" | 55 | 60 | 105 | 51 | 105 | 39 | 22 | 25 | 48 | 226 | 140 | 7.5 |
| 52 70 x0 20 | 89 | 158 | 78 | 10.5 | G1 1/2" | 55 | 60 | 105 | 51 | 105 | 39 | 22 | 25 | 48 | 226 | 140 | 7.5 |

Notes for connecting of valve

Valves are designed for independent, external air pilot supply (port X). It is not recommended, to merge air supply for main valve and for pilot valve, because a big flow through main valve may cause serious dropping of pressure for pilot valve and malfunction may occur.

