

MECHANICALLY ACTUATED STEM VALVES SERIES LV7

- ROBUST DESIGN FOR HARSH CONDITIONS



STRÁNSKÝ A PETŘÍK



The valve is controlled by pushing the stem in the direction of its axis. It is not possible to activate it by pushing the stem from the side of the valve. The valve is also suitable for smooth and slow changes, when the flow rate is smoothly regulated by pushing on the stem. In the middle of the stroke of the stem, the air flow from the inlet is closed (it does not pass to outlet 2 or outlet 4). In addition to the standard version, a stem valve with an extended spring stroke is also available, where after activating the valve, the stem can be pressed in by another 5 mm without damaging the valve.



This variant can be used advantageously for cams that do not move accurately.

Valves series LV7 contains spool and sleeve assembly, which guarantee long lifetime of valve.

Series	LV7
Ports	G1/4"
Flow capacity [Nl/min]	1700
Working pressure [MPa]	vacuum to 2,1
Actuating force [N]	min. 30, max. 300
Temperature range [°C]	medium temperature max. 50, ambient temperature -20 to +50
Weight [kg]	0,42

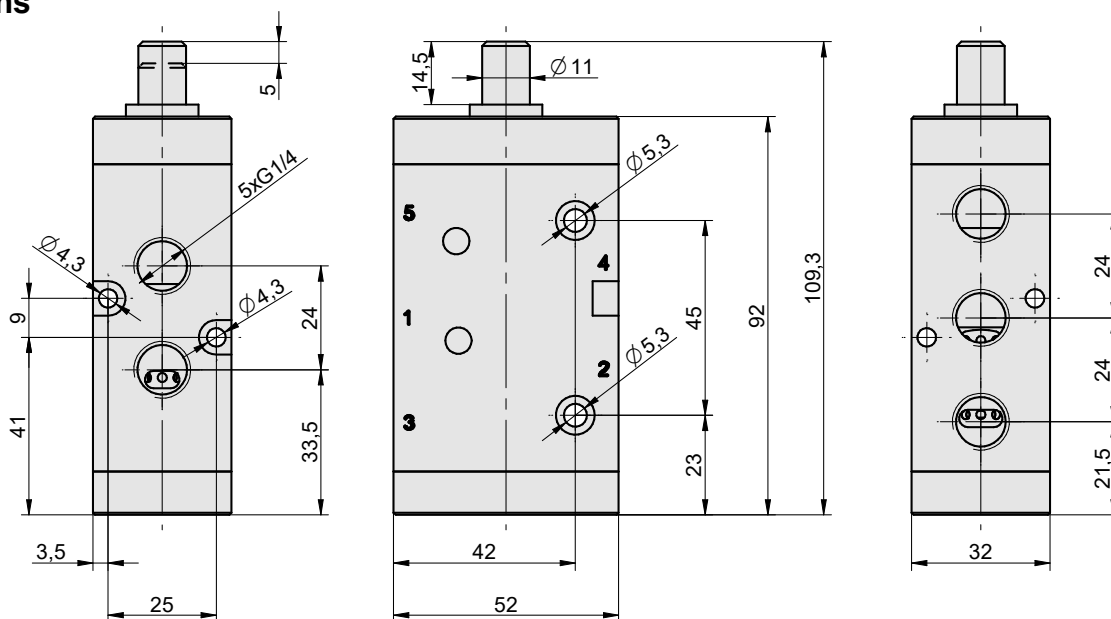
Order codes

Type	Order code
Valve 5/2	2000 2521 0000 0000
Valve 5/2 with extended stroke	2000 2544 1000 0000



To fully activate the valve, the stem must be pushed in by 5 mm. In the extended stroke version, the stem can be pushed in by another 5 mm without affecting the function.

Dimensions



Construction / materials

- body - aluminium alloy
- caps - aluminium alloy, technopolymer
- springs - stainless steel
- seals - Viton®
- spool and internal parts - stainless steel



For more information about spool and sleeve assembly see page 5-2.

