





This valve is actuated by pressing down the stem at the axis direction.
This valve is not replacement for roller lever valves, which are actuated by rolling the can from the side.

This valve series contains rubber gaskets.

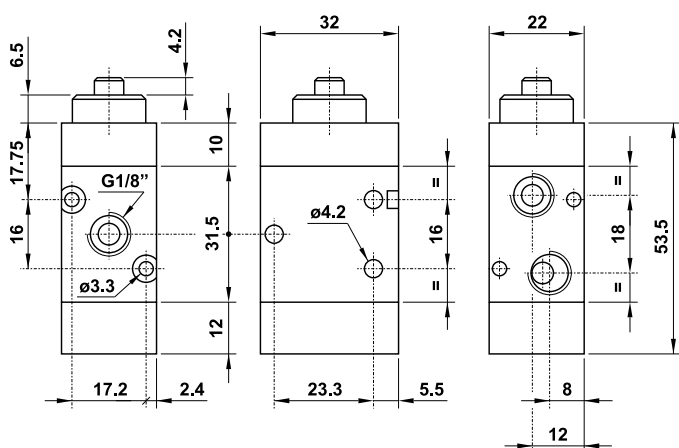
Ports	G1/8"
Flow capacity [Nl/min]	550
Working pressure [MPa]	vacuum to 1.0
Actuating force [N]	33
Temperature range [°C]	-20 to +60
Working medium	modified compressed air
Weight [kg]	0.1 (3/2), 0.13 (5/2)

Order codes

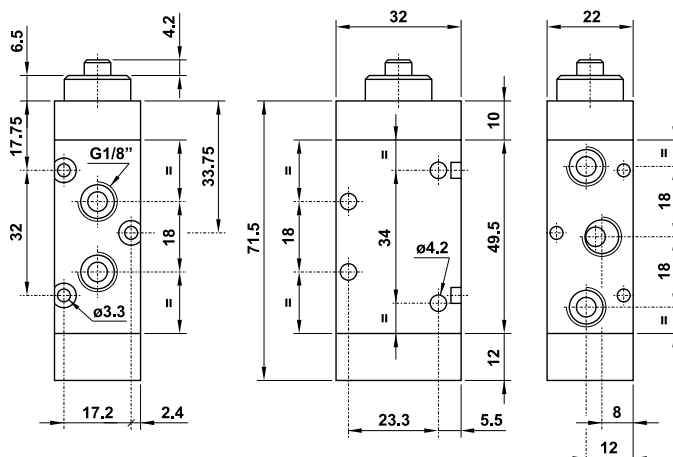
Ports	G1/8"
Valve 3/2 series 321 MP 	2532 3090 0400 0007
Valve 5/2 series 521 MP 	2552 3090 0400 0004

Dimensions

Valve 3/2, series 321 MP



Valve 5/2, series 521 MP



Technical data

Construction / materials

- body - aluminium alloy
- caps - aluminium alloy, technopolymer
- spring - stainless steel
- seals - NBR
- spool - nickel plated aluminium alloy
- internal parts - brass

Flow rate

