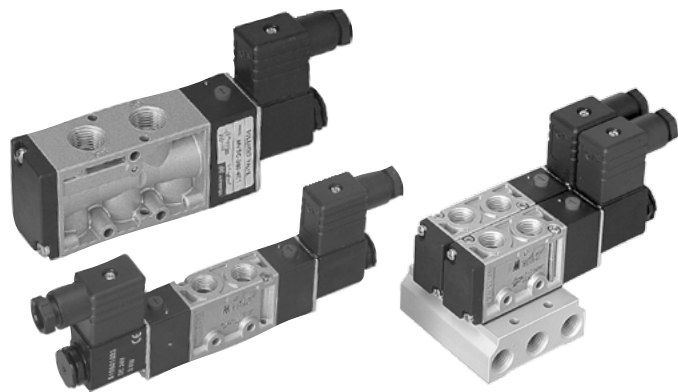


# SOLENOID ACTUATED VALVES SERIES MVSC



The popular valve series, which replaces valves series L and J. The basic usable features are kept and brings some improvements such as lower wattage, comparable or bigger flow capacity and better accessibility. Valves are solenoid pilot actuated. The product range covers functions 5/2 single or double solenoid and 5/3 with centre closed and exhaust position and position with pressure centre. Connector and coil are included in delivery.

This valve series contains rubber gaskets.

Series	MVSC 220	MVSC 300	MVSC 460
Ports	G1/4" (G1/8" for exhaust port 3 and 5)	G3/8"	G1/2"
Flow capacity [Nl/min]	980, or 860 for function 5/3	1905, or 1355 for function 5/3	2730, or 1630 for function 5/3
Working pressure [MPa]	0.2 to 0.8, or 0.3 to 0.8 for function 5/3		
Power input [W, VA]	2W for DC voltage, 6/4.9VA for AC voltage (inrush/hold)		
Response time [ms]	30, or 40 for function 5/3	50	50
Coil voltage tolerance	±10%		
Temperature range [°C]	ambient temperature -5 to +50		
Enclosure	IP65 with sealed and fastened connector		

5

## Order codes

### PMVSC 220 4E2C A220

Size	
220	series MVSC 220, thread G1/4"
300	series MVSC 300, thread G3/8"
460	series MVSC 460, thread G1/2"

Function		
4E1		5/2 monostable (with 1 coil)
4E2		5/2 bistable (with 2 coils)
4E2C		5/3 with closed centre position
4E2C		5/3 with pressure centre position
4E2C		5/3 with exhaust centre position

Voltage	
D12	12 V DC ± 10%
D24	24 V DC ± 10%
A24	24 V AC ± 10%, 50-60 Hz
A110	110 V AC ± 10%, 50-60 Hz
A220	230 V AC ± 10%, 50-60 Hz

**i** Supply contains connector(s).

## Order codes of manifolds

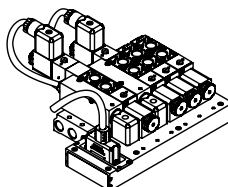
### PMVSC 220 - 5B 4

Size	
220	series MVSC and MVAA 220, thread G1/4"
300	series MVSC 300, thread G3/8"
460	series MVSC and MVAA 460, thread G1/2"

Number of positions	
2 to 10	for 2 to 10 valves

It is possible to mount series MVSC and MVAA valves on manifold with predefined number of position. It isn't possible to add another position to created assembly - it could be necessary to replace manifold or create another manifold. If there is possibility that more valves will be needed in future, we recommend to use manifold with more positions and use blocking plates for unused positions. Valves are mounted to manifold directly - no adaptor is necessary. Valves mounted on manifold could be unmounted separately by unscrew of 2 bolts, which are accessible from top side (side with ports 2 and 4 of valves). Each separate coil must be wired with separate electrical cable.

**i** Manifolds with internal wiring and common 25-pin SUB-D connector are also available. These manifolds are for valves series 220, 300 and 460. Number of stations is 2 to 12 as standard, maximum is 20. Voltage of coils is 24V DC. For more information about these manifolds, please contact our technical department.

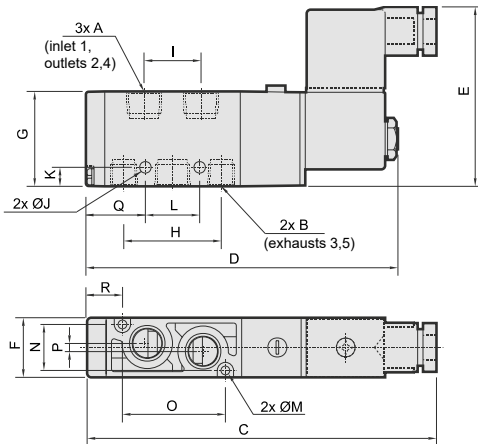


Order codes for blank station plates:

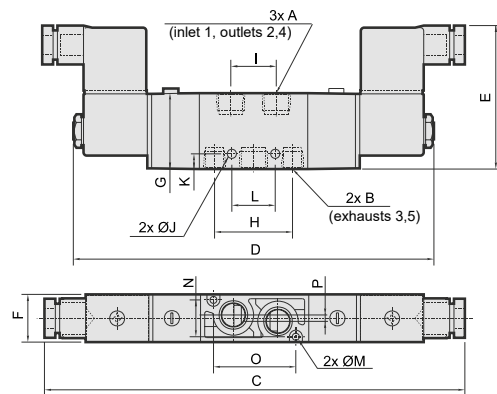
Series	Order codes
220	PMVSC 220 -5P
300	PMVSC 300 -5P
460	PMVSC 460 -5P

**Dimensions of valve series MVSC**

Type 5/2 with single solenoid:



Type 5/2 and 5/3 with double solenoid:

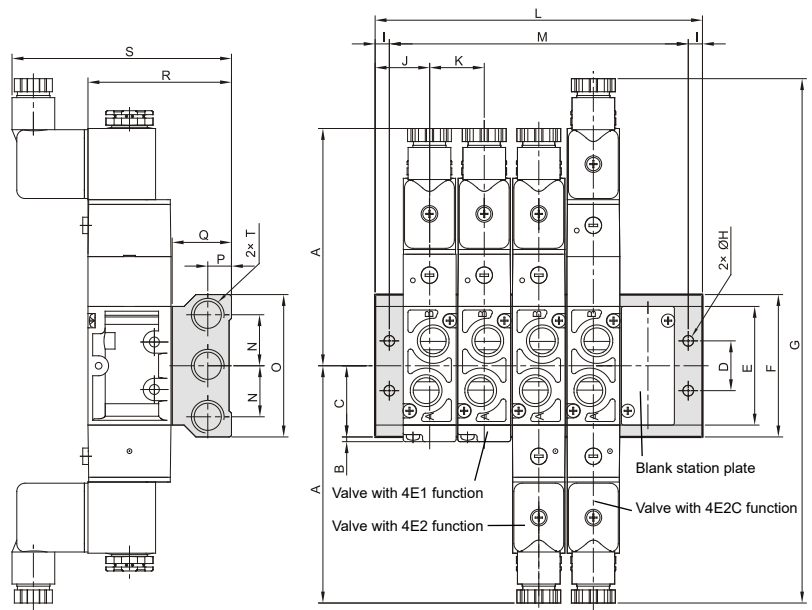


Series	Function	A	B	C	D	E	F	G	H	I	J	K	L	M	N	O	P	Q	R	Weight [kg]
220	4E1	G1/4"	G1/8"	132	118.5	67	22.3	35	36	21	4.2	7	20	3.2	17	38	3	22	13	0.20
	4E2	G1/4"	G1/8"	200	173	67	22.3	35	36	21	4.2	7	20	3.2	17	38	3	—	—	0.29
	4E2C/P/R	G1/4"	G1/8"	221	194	67	22.3	35	36	21	4.2	7	20	3.2	17	38	3	—	—	0.34
300	4E1	G3/8"	G3/8"	159	145.5	73	30	46.4	52	30	5.5	4.7	26	4.5	23	13	0	32	38.5	0.29
	4E2	G3/8"	G3/8"	228	201	73	30	46.4	52	30	5.5	4.7	26	4.5	23	13	0	—	—	0.39
	4E2C/P/R	G3/8"	G3/8"	247.5	220.5	73	30	46.4	52	30	5.5	4.7	26	4.5	23	13	0	—	—	0.53
460	4E1	G1/2"	G1/2"	170	157	73	30	46.4	58	28	4.5	7	29	4.2	23	72	4.5	36.5	15	0.33
	4E2	G1/2"	G1/2"	238	212	73	30	46.4	58	28	4.5	7	29	4.2	23	72	4.5	—	—	0.45
	4E2C/P/R	G1/2"	G1/2"	257.5	231.5	73	30	46.4	58	28	4.5	7	29	4.2	23	72	4.5	—	—	0.55

5

**Dimensions of manifold assemblies of valves series MVSC a MVAA**

Series	Value	Number of positions								
		2	3	4	5	6	7	8	9	10
220	L	69	92	115	138	161	184	207	230	253
	M	57	80	103	126	149	172	195	218	241
	Weight [kg]	0.20	0.26	0.32	0.38	0.46	0.52	0.60	0.62	0.68
300	L	81	112	143	174	205	236	267	298	329
	M	71	102	133	164	195	226	257	288	319
	Weight [kg]	0.25	0.35	0.44	0.54	0.64	0.74	0.83	0.84	0.92
460	L	81	112	143	174	205	236	267	298	329
	M	71	102	133	164	195	226	257	288	319
	Weight [kg]	0.39	0.53	0.68	0.82	0.97	1.11	1.26	1.40	1.55



**Spare coils for series 220/300/460**

Order codes	Voltage	Power input
PMVSC220-COD12	12V DC	3.1 W
PMVSC220-COD24	24V DC	2.5 W
PMVSC220-COA24	24V 50-60 Hz	5.8 VA
PMVSC220-COA110	110V 50-60 Hz	4.9 VA
PMVSC220-COA220	230V 50-60 Hz	5.0 VA

Series	A	B	C	D	E	F	G	H	I	J	K	N	O	P	Q	R	S	T
220	100	2	30	21	50	60	221	4.5	6	23	23	21.5	60	10	25	60.5	92.5	G1/4"
300	114	3	42	30	74	84	281.4	4.5	5	25	31	30.5	84	12	27	73.9	100.2	G3/8"
460	119	3	48	30	86	96	291.4	4.5	5	25	31	29	96	13	30	76.9	103	G1/2"