

SOLENOID ACTUATED VALVES SERIES K WITH NAMUR CONNECTION



A range of indirectly operated valves with NAMUR connection (according to VDI/VDE 3845), based on our popular K-series valves. Available in 5/2 versions with one or two coils and 5/3 with a central position that is both vented and pressurized. A 3/2 version can be created using an adapter that is ordered separately. Using a connection plate, the valve can then be mounted directly on the cylinder inlet. A connector, sealings and screws are also included.



Valves series K contains spool and sleeve assembly, which guarantee long lifetime of valve.

Series	K2 NAMUR	
Port	G1/4" (NAMUR for outlets 2 and 4)	G3/8" (NAMUR for outlets 2 and 4)
Connection of external pressure supply port	M5	M5
Flow capacity [Nl/min]	1700	1700
Working pressure [MPa]	0,15 to 1,0 (vacuum to 2,1 when external pilot supply is used)	
Pilot pressure range [MPa]	0,15 to 1,0	
Power input [W/VA] (standard coils)	3W for DC voltage, 7,5 VA inrush and 5 VA hold for AC voltage	
Response time for DC voltage [ms]	10 energize, 35 de-energize	
Response time for AC voltage [ms]	7 energize, 35 de-energize	
Temperature range [°C]	medium temperature max. 50, ambient temperature -20 to +50	
Enclosure (standard coils)	IP65 with sealed and fastened connector	

Order codes

25 528090 06 30 A 000

Function		Port		Voltage		Series	
52 80 90	5/2 monostable (with 1 coil)	06	thread G1/4"	30	24 V DC ± 10%	A	K2 NAMUR
52 80 80	5/2 bistable (with 2 coils)	08	thread G3/8"	40	24 V AC ± 10% 50-60 Hz		
53 80 80	5/3 with exhaust centre position			50	110 V AC ± 10% 50-60 Hz		
73 80 80	5/3 with pressure centre position			60	230 V AC ± 10% 50-60 Hz		
				31	24 V DC ± 10% ATEX II 2G(D)*		

*)See detailed specification of ATEX coil on the next page

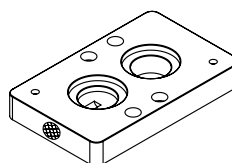
i Supply contains connector(s).

i Spare coils - see page 5-4.

Accessories

Description	Order codes	
Adapter for making of 3/2 function (from function 52 80 90)	PMVSN300-A-K	
Connection plate for mounting the valve on cylinder inlet	G1/8"	2101 8100 0032 0000
	G1/4"	2101 8100 0040 0000
	G3/8"	2101 8100 0063 0000
	G1/2"	2101 8100 0100 0000

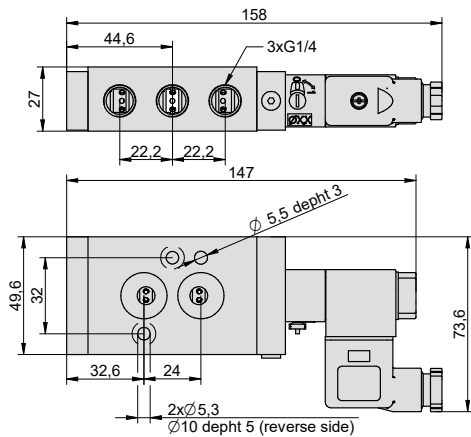
Adapter for making of 3/2 function (from function 52 80 90)



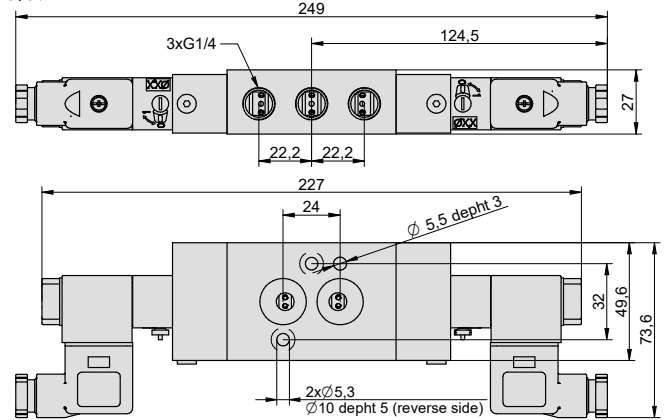
By mounting this adapter on a valve with one coil (function 52 80 90), a valve with a NAMUR connection with a 3/2 design is created. If the adapter is mounted on the valve with the silencer facing the coil, the valve will be normally open; if the adapter is mounted with the silencer facing away from the coil, the valve will be normally closed.

Dimensions of valve series K with NAMUR connection

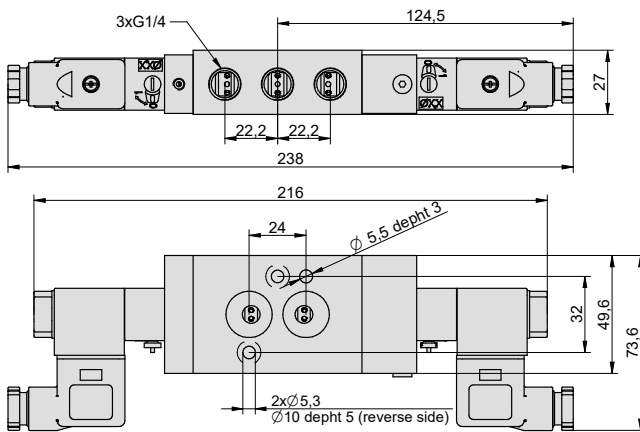
5/2 monostable:



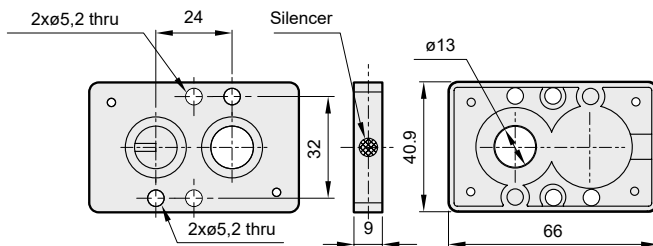
5/3:



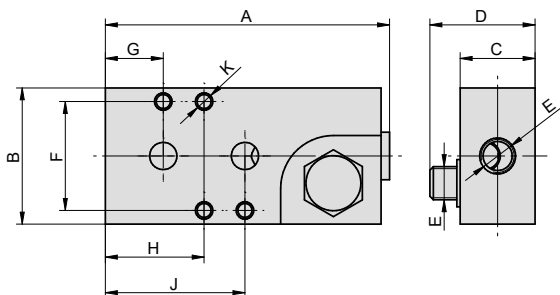
5/2 bistable:



Adapter for making of 3/2 function (from function 52 80 90)



Connection plate for mounting the valve on cylinder inlet:



Thread	E	A	B	C	D	F	G	H	J	K
G1/8"	83	40	22	31	32	17	29	41	M5 depth 10	
G1/4"	83	40	22	33,5	32	17	29	41	M5 depth 10	
G3/8"	90	49	28	41,5	32	18	30	42	M5 depth 10	
G1/2"	90	59	30	45,5	32	19	31	43	M5 depth 10	

