

SOLENOID ACTUATED VALVES SERIES NAF



STRÁNSKÝ A PETRŽÍK



Series of poppet seat valves 2/2 and 3/2 with indirect actuating offers all functions which you need. Normally open as well as normally closed versions are available. Due to construction, these valves are reliable and offers maximal flow capacity.

This valve series contains rubber gaskets.

Ports	G1/8"	G1/4"	G3/8"	G1/2"	G3/4"	G1"	G1 1/2"
Flow capacity [Nl/min]	580	1100	1500	5400	6500	13500	35000
Working pressure [MPa]*	0.15 to 1.0	0.16 to 1.0	0.16 to 1.0	0.2 to 1.0	0.2 to 1.0	0.22 to 1.0	0.25 to 1.0
Power input for DC coils [W]	3.5			11			
Power input for AC coils [VA]	7.8 inrush, 5 hold			16 inrush, 10 hold			
Response time energize / de-energize [ms] NC	15 / 20	20 / 23	20 / 23	17 / 27	17 / 27	20 / 32	47 / 22
Response time energize / de-energize [ms] NO	15 / 20	15 / 20	15 / 20	30 / 22	30 / 22	28 / 23	55 / 20
Temperature range [°C]	medium temperature max. 60, ambient temperature -5 to +50						
Coil type	type 22	type 22	type 22	type A	type A	type A	type A

*) For vacuum, the NAG series is available - please contact our technical or sales dept. for more information.

Order codes

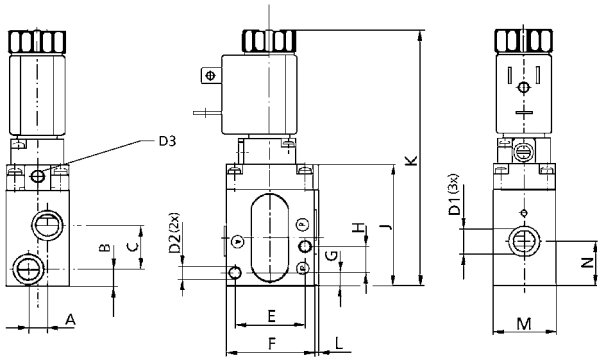
NAF25 100G 61

Size		Function, port size			Function, port size			Voltage	
NAF25	series NAF	000G	G1/8"		450G	G1"		60	12 V DC ± 10%
		010G	G1/8"		460G	G1"		61	24 V DC ± 10%
		100G	G1/4"		470G	G1"		40	230 V AC ± 10% 50-60 Hz
		110G	G1/4"		610G	G1 1/2"		30	110 V AC ± 10% 50-60 Hz
		200G	G3/8"		650G	G1 1/2"		20	24 V AC ± 10% 50-60 Hz
		210G	G3/8"		670G	G1 1/2"			
		300G	G1/2"						
		310G	G1/2"						
		320G	G1/2"						
		400G	G3/4"						
		410G	G3/4"						
		420G	G3/4"						

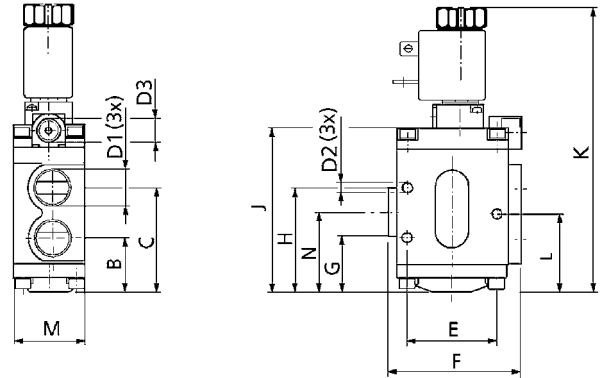


For connectors for valves see page 5-34.

**Dimensions of valve series NAF
Port size G1/8"**

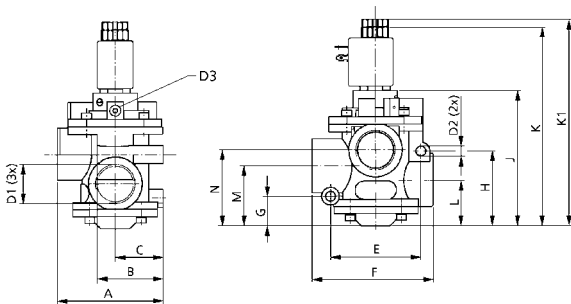


Port size G1/4" and G3/8"

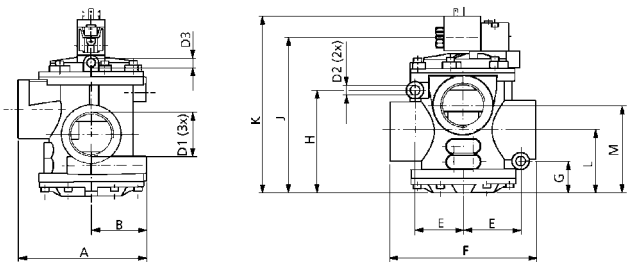


Port size	A	B	C	D1	D2	D3	E	F	G	H	J	K	L	M	N	Weight [kg]
G1/8"	7.5	7	17.5	G1/8"	4.5	G1/8"	28	36	5.3	10.5	48.5	102	1.9	25	17.8	0.25
G1/4"	—	24	47	G1/4"	4.5	G1/8"	40	60	25	47	74	129	35.5	32	36	0.58
G3/8"	—	24	47	G3/8"	4.5	G1/8"	40	60	25	47	74	129	35.5	32	36	0.56

Port size G1/2" to G1"



Port size G1 1/2"



Port size	A	B	C	D1	D2	D3	E	F	G	H	J	K	K1	L	M	N	Weight [kg]
G1/2"	75	47	35	G1/2"	6.4	G1/8"	63	78.5	21	54.5	100	150	154	30	41	50.5	1.19
G3/4"	75	47	35	G3/4"	6.4	G1/8"	63	78.5	21	54.5	100	150	154	30	41	50.5	1.13
G1"	89	55	40	G1"	8.4	G1/8"	76	101	25.5	62.5	115	167	174	38	51	64	1.62
G1 1/2"	138	59	—	G1 1/2"	10.8	G1/8"	51	158	34	113	170	192.5	—	68	96	—	2.27

Spare coils for valve series NAF

Order codes	Port size	Voltage	Connector type	Weight [kg]
ADA-0050	G1/8" to G3/8"	12V DC	type 22	0.06
ADA-0051	G1/8" to G3/8"	24V DC	type 22	0.06
ADA-0106	G1/8" to G3/8"	24V 50-60 Hz	type 22	0.06
ADA-0108	G1/8" to G3/8"	110V 50-60 Hz	type 22	0.06
ADA-0124	G1/8" to G3/8"	230V 50-60 Hz	type 22	0.06
ADB-0501	G1/2" to G1 1/2"	12V DC	type A	0.10
ADB-0502	G1/2" to G1 1/2"	24V DC	type A	0.10
ADB-0507	G1/2" to G1 1/2"	24V 50-60 Hz	type A	0.10
ADB-0509	G1/2" to G1 1/2"	110V 50-60 Hz	type A	0.10
ADB-0510	G1/2" to G1 1/2"	230V 50-60 Hz	type A	0.10

