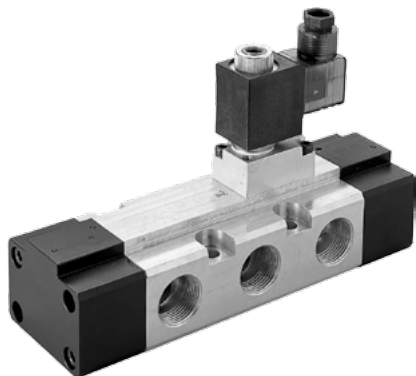


SOLENOID ACTUATED VALVES SERIES MVSE



STRÁNSKÝ A PETRŽÍK



The new valve series, which continues with parameters the series MVSC. They are suitable for large diameter cylinders actuating. Valves series MVSE are solenoid pilot actuated. The product range covers functions 5/2 single or double solenoid. Connector and coil are included in delivery.

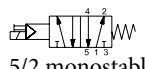
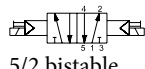
This valve series contains rubber gaskets.

Series	MVSE 510	MVSE 600	MVSE 600
Ports	G1/2"	G3/4"	G1"
Flow capacity [Nl/min]	3400	4600	4800
Working pressure [MPa]	0.2 to 0.7		
Power input [W, VA]	10W for DC voltage, 13/11VA for AC voltage (inrush/hold)		
Response time [ms]	60	80	80
Coil voltage tolerance	±10%		
Temperature range [°C]	ambient temperature -5 to +50		
Enclosure	IP65 with sealed and fastened connector		

Order codes

PMVSE 600 42 20 D24

Size	
510	series MVSE 510
600	series MVSE 600

Function	
41	 5/2 monostable (with 1 coil)
42	 5/2 bistable (with 2 coils)

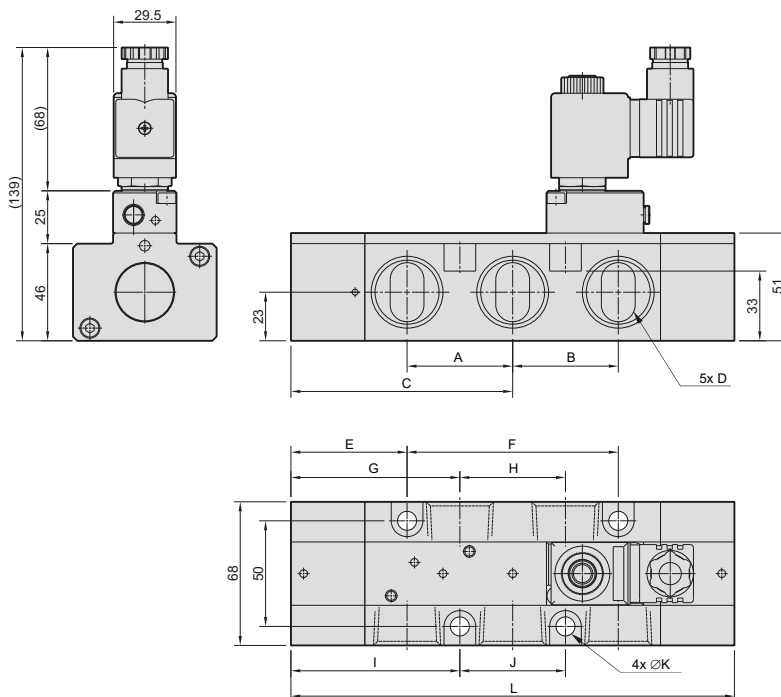
Thread	
15	G1/2" for series 510
20	G3/4" for series 600
25	G1" for series 600

Voltage	
D24	24 V DC ± 10%
A110	110 V AC ± 10%, 50-60 Hz
A220	230 V AC ± 10%, 50-60 Hz

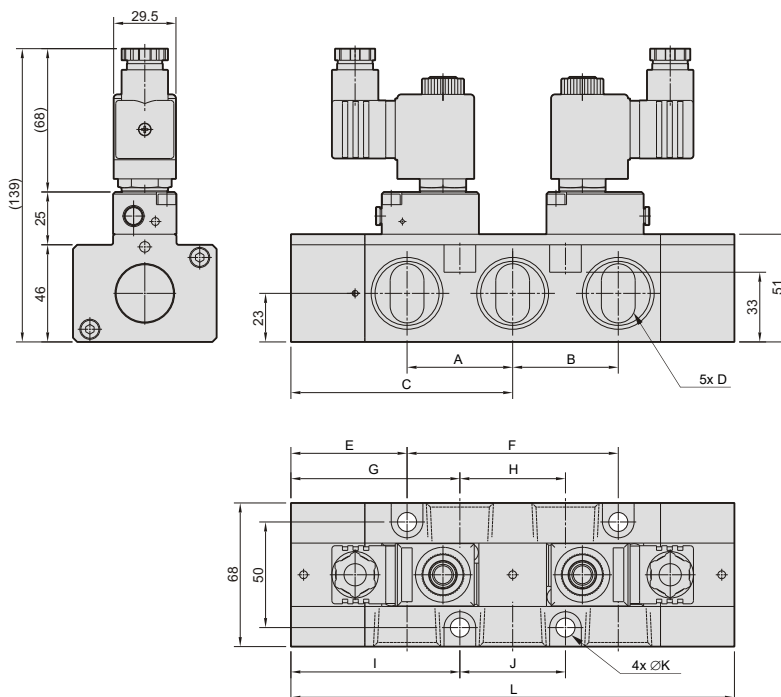
i Supply contains connector(s).

Dimensions of valve series MVSE

Type 5/2 with single solenoid:



Type 5/2 with double solenoid:



Series	Function	A	B	C	D	E	F	G	H	I	J	K	L	Weight [kg]
510	41	32	32	77.5	G1/2"	45.5	64	61.5	32	61.5	32	9	155	1.52
	42	32	32	77.5	G1/2"	45.5	64	61.5	32	61.5	32	9	155	1.81
600	41	50	50	105	G3/4" or G1"	55	100	80	50	80	50	9	210	1.82
	42	50	50	105	G3/4" or G1"	55	100	80	50	80	50	9	210	2.10

Spare coils for series 510/600

Order codes	Voltage
PMVSE510-COD24	24V DC
PMVSE510-COA110	110V 50-60 Hz
PMVSE510-COA220	230V 50-60 Hz