

SOLENOID ACTUATED VALVES SERIES MVSE



This valve series that complement favorite MVSC series with their parameters, over which they can handle up to 1.2 MPa. Other parameters, such as power consumption and flow, are the same or similar. The MVSE series is indirectly controlled. All 5/2 with one or two coils and 5/3 with medium closed, ventilated and under pressure (5/3 not available for MVSE-500) are available. The valves can be used directly or can be mounted on a manifold.

This valve series contains rubber gaskets.

Series	MVSE 260	MVSE 300	MVSE 500
Ports	G1/4" (G1/8" for exhaust port 3 and 5)	G3/8"	G1/2"
Flow capacity [Nl/min]	980, or 860 for function 5/3	1905	2180
Working pressure [MPa]	0.2 to 1.2 or 0.3 to 1.2 for function 5/3		
Power input [W, VA]	2.0W for DC voltage, 6/4.9VA for AC voltage (inrush/hold)		
Response time [ms]	40, or 35 for function 5/3	50	50
Coil voltage tolerance	±10%		
Temperature range [°C]	ambient temperature -5 to +50		
Enclosure	IP65 with sealed and fastened connector		

5

Order codes

PMVSE 300 4E2C A220

Size	
260	series MVSE 260, thread G1/4"
300	series MVSE 300, thread G3/8"
500	series MVSE 500, thread G1/2"

Function		
4E1		5/2 monostable (with 1 coil)
4E2		5/2 bistable (with 2 coils)
4E2C*		5/3 with closed centre position
4E2C*		5/3 with pressure centre position
4E2C*		5/3 with exhaust centre position

Voltage	
D24	24 V DC ± 10%
A24	24 V AC ± 10%, 50-60 Hz
A110	110 V AC ± 10%, 50-60 Hz
A220	230 V AC ± 10%, 50-60 Hz

i Supply contains connector(s).

*) Not for MVSE-500

Order codes of manifolds

PMVSE 260 - 5B 4

Size	
260	series MVSE 260, thread G1/4"
300	series MVSE 300, thread G3/8"
500	series MVSE 500, thread G1/2"

Number of positions	
2 to 10	for 2 to 10 valves

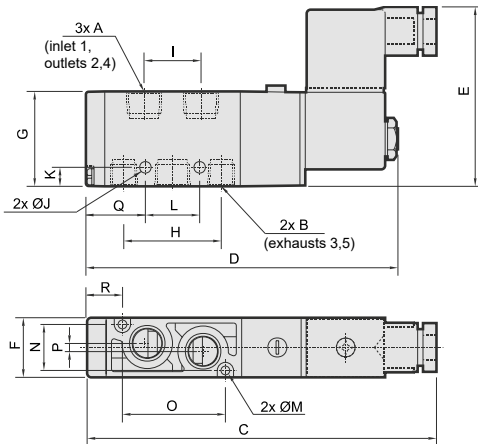
Order codes for blank station plates:

Series	Order codes
260	PMVSE 260 -5P
300	PMVSE 300 -5P
500	PMVSE 500 -5P

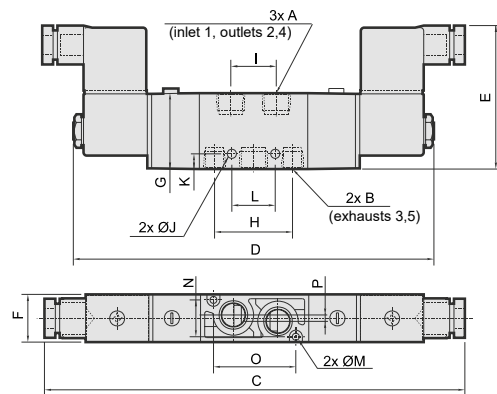
It is possible to mount series MVSE valves on manifold with predefined number of position. It isn't possible to add another position to created assembly - it could be necessary to replace manifold or create another manifold. If there is possibility that more valves will be needed in future, we recommend to use manifold with more positions and use blocking plates for unused positions. Valves are mounted to manifold directly - no adaptor is necessary. Valves mounted on manifold could be unmounted separately by unscrew of 2 bolts, which are accessible from top side (side with ports 2 and 4 of valves). Each separate coil must be wired with separate electrical cable.

Dimensions of valve series MVSE

Type 5/2 with single solenoid:



Type 5/2 and 5/3 with double solenoid:

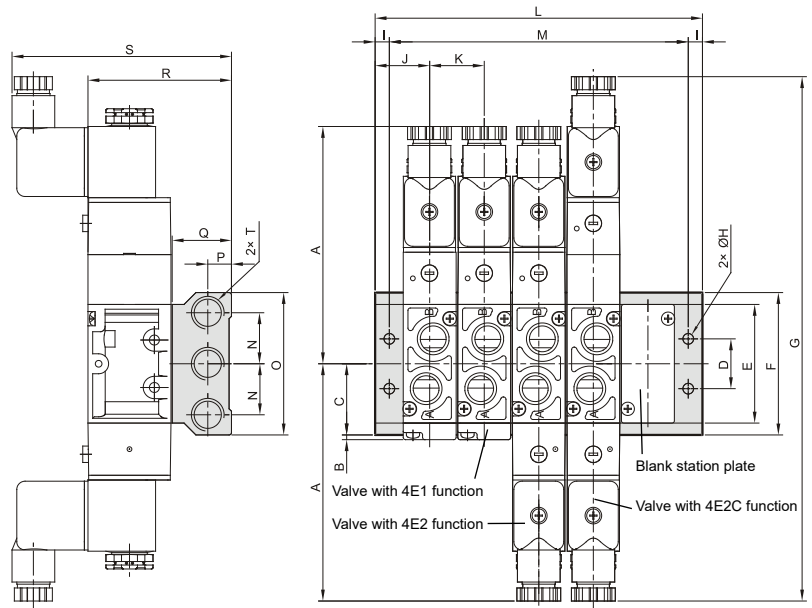


Series	Function	A	B	C	D	E	F	G	H	I	J	K	L	M	N	O	P	Q	R	Weight [kg]
260	4E1	G1/4"	G1/8"	131.5	118	66	26.4	35.3	37	21	4.2	7	20	4.2	21	10	0	21.5	26.5	0.26
	4E2	G1/4"	G1/8"	200	173	66	26.4	35.3	37	21	4.2	7	20	4.2	21	10	0	—	—	0.35
	4E2C/P/R	G1/4"	G1/8"	216	189	66	26.4	35.3	37	21	4.2	7	20	4.2	21	10	0	—	—	0.41
300	4E1	G3/8"	G3/8"	156.5	145.5	72	30	46.4	52	30	4.5	4.7	26	3.2	25	60	0	32	15	0.41
	4E2	G3/8"	G3/8"	223	201	72	30	46.4	52	30	4.5	4.7	26	3.2	25	60	0	—	—	0.51
	4E2C/P/R	G3/8"	G3/8"	242.2	220	72	30	46.4	52	30	4.5	4.7	26	3.2	25	60	0	—	—	0.58
500	4E1	G1/2"	G1/2"	168.5	157.5	73	30	50	58	27	4.5	8.8	29	4.2	23	72	4.5	36.5	15	0.45
	4E2	G1/2"	G1/2"	235	213	73	30	50	58	27	4.5	8.8	29	4.2	23	72	4.5	—	—	0.55

5

Dimensions of manifold assemblies of valves series MVSE

Series	Value	Number of positions									
		2	3	4	5	6	7	8	9	10	
260	L	74	101	128	155	182	209	236	263	290	
	M	64	91	118	145	172	199	226	253	280	
	Weight[kg]	0.22	0.30	0.39	0.47	0.55	0.63	0.72	0.80	0.88	
300	L	81	112	143	174	205	236	267	298	329	
	M	71	102	133	164	195	226	257	288	319	
	Weight [kg]	0.24	0.33	0.42	0.51	0.60	0.68	0.76	0.84	0.93	
500	L	81	112	143	174	205	236	267	298	329	
	M	71	102	133	164	195	226	257	288	319	
	Weight [kg]										



Spare coils for series 260/300/500

Order codes	Voltage	Power input
PMVSE260-COD24	24V DC	2.0 W
PMVSE260-COA24	24V 50-60 Hz	5.4 VA
PMVSE260-COA110	110V 50-60 Hz	4.4 VA
PMVSE260-COA220	230V 50-60 Hz	4.9 VA

Series	A	B	C	D	E	F	G	H	I	J	K	N	O	P	Q	R	S	T
260	100	1.5	30	21	50	60	216	4.5	5	23.5	27	21.5	60	10	25	60.3	90.7	G1/4"
300	111.5	3	42	30	74	84	242.2	4.5	5	25	31	30.5	84	12	27	73.9	98.7	G3/8"
500	117.5	3	48	30	86	96	—	4.5	5	25	31	30	96	13	30	80	103	G1/2"