

- ISO 15552, VDMA 24562, NF E 49003.1
- DIN ISO 6431, VDMA 24562, NF E 49003.1
- COMPACT

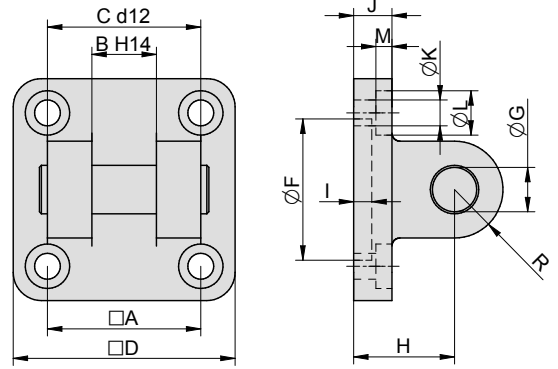
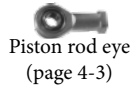
NARROW SWIVEL FLANGE FOR CYLINDER

- ISO 15552, VDMA 24562, NF E 49003.1
- DIN ISO 6431, VDMA 24562, NF E 49003.1
- COMPACT

Supply contains:
 1 pc flange
 1 pc pivot pin
 2 pcs retaining rings
 4 pcs screws



i Can be combined with:



Piston Ø	A	B	C	D	F	G	H	I	J	K	L	M	R	Weight	Order codes
32	32.5	14	34	48	30	10	22	4.5	9	6.6	11	3.5	10	0.05	2101 3400 0032 0000
40	38	16	40	55	35	12	25	4.5	9.5	6.6	11	4	12	0.08	2101 3400 0040 0000
50	46.5	21	45	65	40	16	27	5	11	9.2	15	4.5	14	0.12	2101 3400 0050 0000
63	56.5	21	51	75	45	16	32	4.5	11	9.2	15	4.5	16	0.20	2101 3400 0063 0000
80	72	25	65	95	45	20	36	5	15	11	18	5	20	0.41	2101 3400 0080 0000
100	89	25	75	115	55	20	41	5	15	11.2	18	5	20	0.66	2101 3400 0100 0000
125	110	37	97	140	60	30	50	7	19	14	20	9	28	1.22	2101 3400 0125 0000
160	140	43	122	185	65	35	55	7	19	18	26	9	33	6.68	2101 3400 0160 0000
200	175	43	122	235	75	35	60	7	24	18	26	11	35	12.08	2101 3400 0200 0000
250	220	49	125	270	90	40	70	12	25	22	34	14	40	17.55	2101 3400 0250 0000
320	270	60	150	350	110	50	80	12	30	26	46	15	46	30.80	2101 3400 0320 0000

4

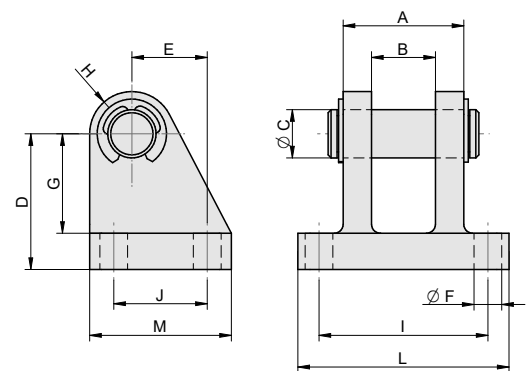
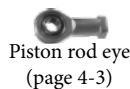
RECTANGULAR SWIVEL FLANGE FOR CYLINDER

- ISO 15552, VDMA 24562, NF E 49003.1
- DIN ISO 6431, VDMA 24562, NF E 49003.1
- COMPACT

Supply contains:
 1 pc flange
 1 pc pivot pin
 2 pcs retaining rings



i Can be combined with:



Piston Ø	A	B	C	D	E	F	G	H	I	J	L	M	Weight	Order codes
32	28	14	10	32	16	6.8	24	12	42	20	56	36	0.10	2101 3500 0032 0000
40	30	16	12	36	20	6.8	26	14	44	26	58	41	0.14	2101 3500 0040 0000
50	40	21	16	45	25	9.2	33	14	56	31	70	47	0.25	2101 3500 0050 0000
63	40	21	16	50	25	9	38	14	56	31	70	47	0.26	2101 3500 0063 0000
80	50	25	20	63	30	11	49	18	70	36	89	57	0.52	2101 3500 0080 0000
100	50	25	20	71	41	11	56	22	70	46	89	67	0.64	2101 3500 0100 0000