

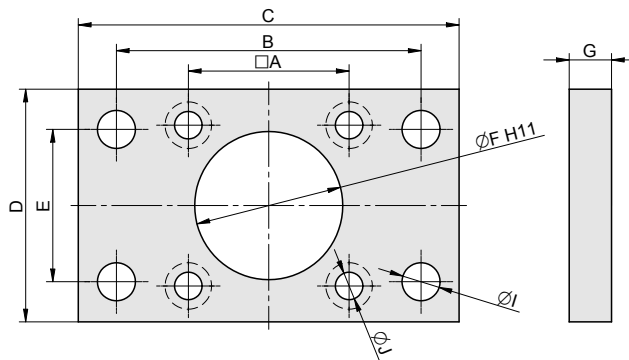
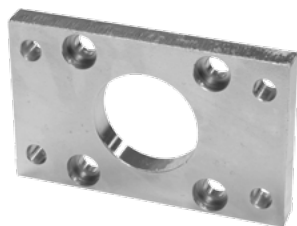


- ISO 15552, VDMA 24562, NF E 49003.1
- DIN ISO 6431, VDMA 24562, NF E 49003.1
- COMPACT

FLANGE MOUNTING FOR CYLINDER

- ISO 15552, VDMA 24562, NF E 49003.1
- DIN ISO 6431, VDMA 24562, NF E 49003.1
- COMPACT

Supply contains:
1 pc flange mounting
4 pcs screws



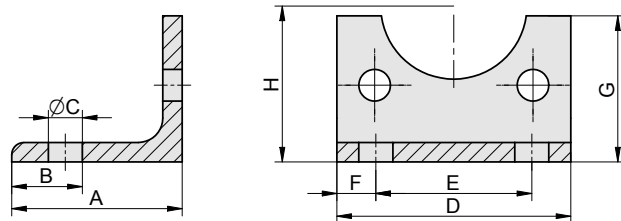
Piston Ø	A	B	C	D	E	F	G	I	J	Weight	Order codes
32	32.5	64	80	50	32	30	10	7	6.5	0.24	2101 2000 0032 0000
40	38	72	90	55	36	35	10	9	6.5	0.28	2101 2000 0040 0000
50	46.5	90	110	70	45	40	12	9	9	0.56	2101 2000 0050 0000
63	56.5	100	120	75	50	45	12	9	9	0.64	2101 2000 0063 0000
80	72	126	153	100	63	45	16	12	11	1.60	2101 2000 0080 0000
100	89	150	178	115	75	55	16	14	11	2.18	2101 2000 0100 0000
125	110	180	220	140	90	60	20	16	14	4.16	2101 2000 0125 0000
160	140	230	260	190	115	65	20	18	18	7.06	2101 2000 0160 0000
200	175	270	312	220	135	75	25	22	18	12.20	2101 2000 0200 0000
250	220	330	380	270	165	90	25	26	22	18.48	2101 2000 0250 0000
320	270	400	460	340	200	110	30	33	26	32.90	2101 2000 0320 0000

4

FOOT MOUNTING FOR CYLINDER

- ISO 15552, VDMA 24562, NF E 49003.1
- DIN ISO 6431, VDMA 24562, NF E 49003.1
- COMPACT

Supply contains:
1 pc foot mounting
2 pcs screws



Piston Ø	A	B	C	D	E	F	G	H	Weight	Order codes
32	35	11	7	48	32	5	30	32	0.08	2101 2100 0032 0000
40	40	12	10	55	36	9.5	32	36	0.12	2101 2100 0040 0000
50	45	13	10	65	45	10	40	45	0.16	2101 2100 0050 0000
63	45	13	10	75	50	12.5	40	50	0.22	2101 2100 0063 0000
80	60	19	12	95	63	16	60	63	0.50	2101 2100 0080 0000
100	60	19	12	115	75	20	60	71	0.54	2101 2100 0100 0000
125	70	30	16.5	140	90	25	70	90	1.22	2101 2100 0125 0000
160	85	25	18.5	185	115	35	90	115	2.55	2101 2100 0160 0000
200	105	35	24	235	135	50	120	135	4.68	2101 2100 0200 0000
250	115	40	28	270	165	52.5	150	165	10.84	2101 2100 0250 0000
320	130	45	35	350	200	75	170	200	14.75	2101 2100 0320 0000