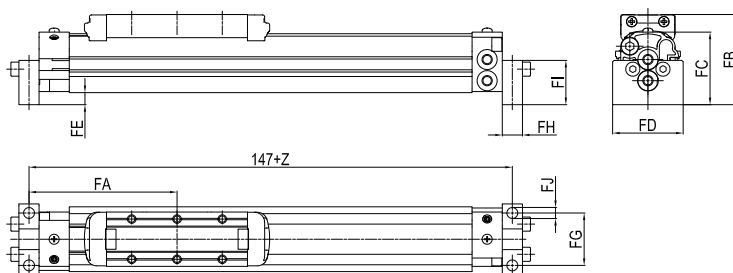
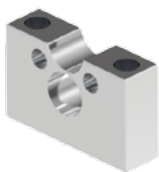




## BRACKET FOR RODLESS CYLINDER

### • SERIES S1

Supply contains:  
1 pc bracket  
2 pcs screw



Z = cylinder stroke

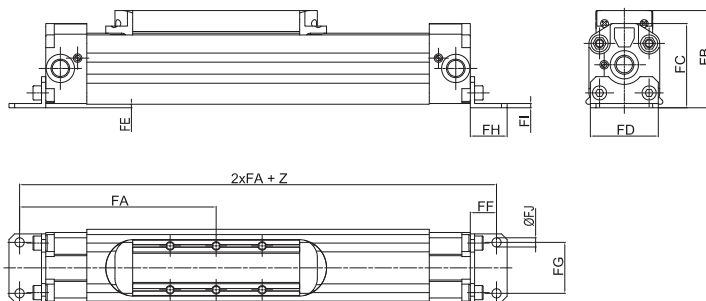
Piston Ø	Max. stroke	FA	FB	FC	FD	FE	FG	FH	FI	FJ	Weight	Order codes
16	250	73,5	45	36	35	6	26	10	22	5,5	0,015	ASF-13016

Note: the bracket should not be used if the cylinder stroke is greater than the specified value

## BRACKET FOR RODLESS CYLINDER

### • SERIES S1, S5 AND VL1

Supply contains:  
1 pc bracket  
2 pcs screw



Z = cylinder stroke

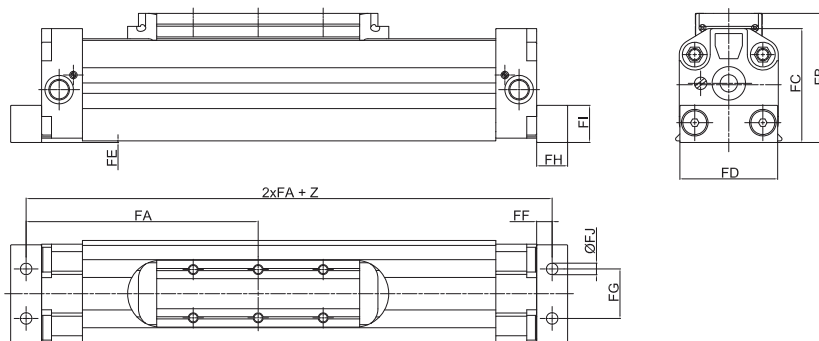
Piston Ø	Max. stroke	FA	FB for series			FC	FD	FE	FF	FG	FH	FI	FJ	Weight	Order codes
			S1	S5	VL1										
25	300	116	58,1	-	74,8	48,8	40	0,5	16	27	22	2,5	5,5	0,034	ASF-13025
32	350	143,5	68,7	85	-	59,2	48	2,5	18,5	36	26	3	6,5	0,053	ASF-13032

Note: the bracket should not be used if the cylinder stroke is greater than the specified value

## BRACKET FOR RODLESS CYLINDER

### • SERIES S1, S5 AND VL1

Supply contains:  
1 pc bracket  
2 pcs screw



Z = cylinder stroke

Piston Ø	Max. stroke	FA	FB for series			FC	FD	FE	FF	FG	FH	FI	FJ	Weight	Order codes
			S1	S5	VL1										
40	400	162,5	86,5	107,3	106,7	74,9	63	0,7	12,5	30	25	25	9	0,116	ASF-13040
50	450	187,5	104,3	125	127,5	92,4	79	1,3	12,5	40	25	30	9,3	0,170	ASF-13050

Note: the bracket should not be used if the cylinder stroke is greater than the specified value