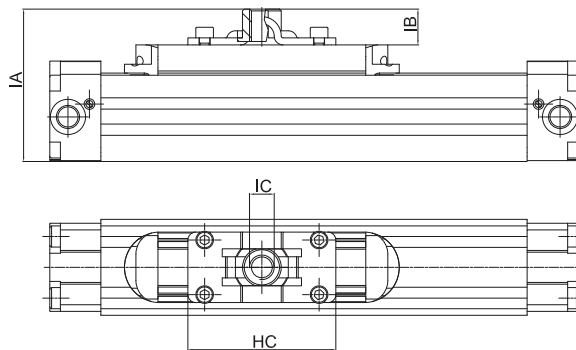




FEMALE THREADED CONNECTION FOR RODLESS CYLINDER

• **SERIES S1**

Supply contains:
1 pc connection
4 pcs screws

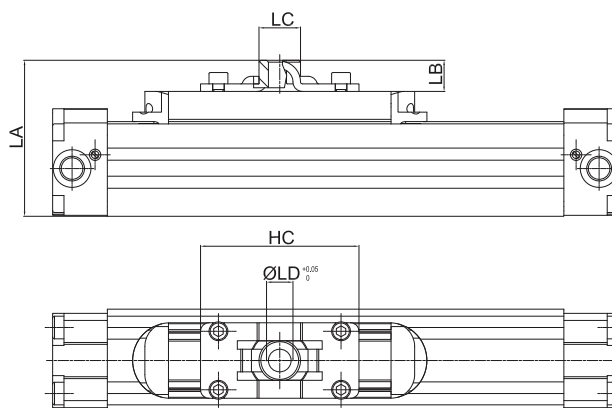


Piston Ø	IA	IB	IC	HC	Weight	Order codes
16	61	22	M12	64	0,13	ASF-26016
25	75,6	18	M12	64	0,08	ASF-26025
32	87,2	21	M14	84	0,16	ASF-26032
40	106,8	21	M14	84	0,16	ASF-26032

FEMALE CONNECTION WITHOUT THREAD FOR RODLESS CYLINDER

• **SERIES S1**

Supply contains:
1 pc connection
4 pcs screws

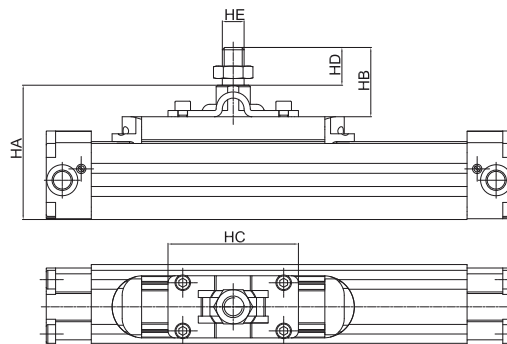


Piston Ø	LA	LB	LC	LD	LH	Weight	Order codes
16	56	17	18	10	64	0,13	ASF-28016
25	70,6	13	18	10	64	0,07	ASF-28025
32	83,4	17,2	22	12	84	0,15	ASF-28032
40	103	17,2	22	12	84	0,15	ASF-28032

MALE THREADED PIN FOR RODLESS CYLINDER

• **SERIES S1**

Supply contains:
1 pc connection
4 pcs screws
1 pc nut



Piston Ø	HA	HB	HC	HD	HE	Weight	Order codes
16	76,5	37,5	64	22	M12	0,16	ASF-27016
25	91,1	33,5	64	22	M12	0,11	ASF-27025
32	107,7	41,5	84	24,3	M14	0,26	ASF-27032
40	127,3	41,5	84	24,3	M14	0,26	ASF-27032