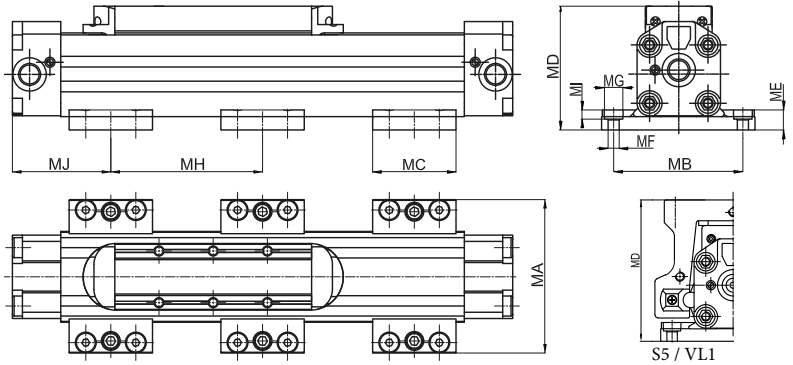


FIXING PLATE FOR RODLESS CYLINDER

• SERIES S1, S5 AND VL1

Supply contains:
 1 pc plate
 2 pcs mounting plates
 4 pcs bolts to fix mounting plates

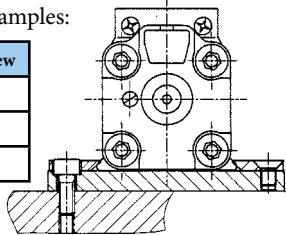


Piston Ø	MA	MB	MC	MD for series			ME	MF	MG	MH*	MI	MJ	Weight	Order codes
				S1	S5	VL1								
16	50	40	30	44,8	-	-	9	M5	8	400*	4,5	35	0,08	ASF-12016
25	78,5	63,5	50	65,6	-	82,3	12	M8	11	500*	6,5	55	0,31	ASF-12025
32	92	77,5	50	74,2	90,5	-	12	M8	11	600*	8,5	60	0,34	ASF-12032
40	117	96	60	95,8	116,6	116	15	M10	14	700*	8	70	0,66	ASF-12040
50	136	115	60	113	133,7	136,2	15	M10	14	800*	8	70	0,70	ASF-12050

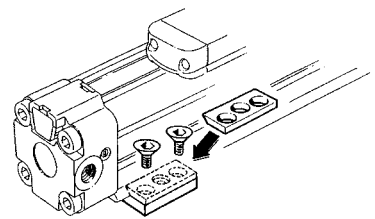
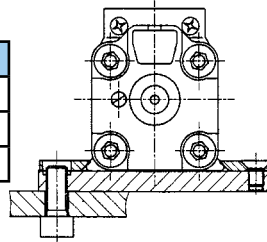
*) Maximum dimension in order to limit the deflection of the cylinder under its own weight (if exceeded, we recommend to use another flange)

Mounting examples:

Piston Ø	Screw
16	M4
25, 32	M6
40, 50	M8



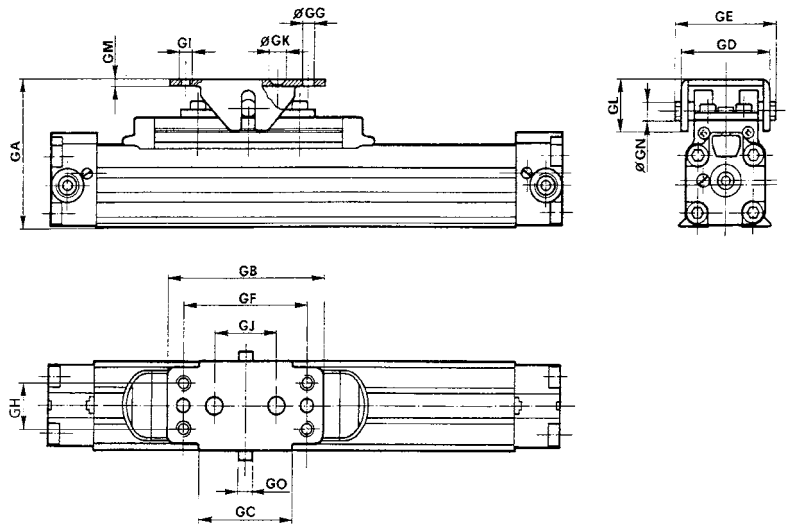
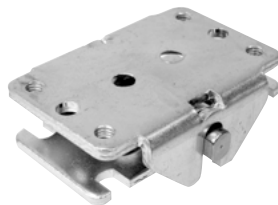
Piston Ø	Screw
16	M5
25, 32	M8
40, 50	M10



OSCILLATING BRACKET FOR RODLESS CYLINDER

• SERIES S1

Supply contains:
 1 pc oscillating bracket
 4 pcs screws



Piston Ø	GA	GB	GC	GD	GE	GF	GG	GH	GI	GJ	GK	GL	GM	GN	GO	Weight	Order codes
16	58	60	40	44,5±0,25	50	50	5,5	25	M5	16	5,5	20,5	3	8	6	0,20	ASF-24016
25	73,5±2,5	60	40	44,5±2,5	50	50	5,5	25	M5	16	5,5	20,5	3	8	6,15	0,14	ASF-24025
32	89±4	100	60	56±4	64	80	5,5	30	M6	40	6,5	30	4	12	8,2	0,36	ASF-24032
40	108,5±4	100	60	56±4	64	80	5,5	30	M6	40	6,5	30	4	12	8,2	0,36	ASF-24032