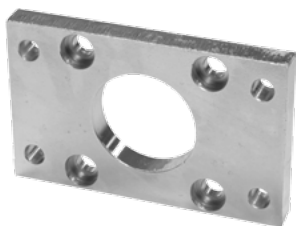




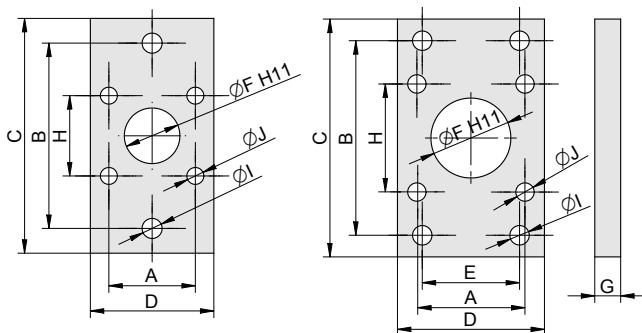
FLANGE MOUNTING FOR CYLINDER
• SHORT STROKE

Supply contains:
1 pc flange mounting
4 pcs screws



For piston dia. 20 and 25

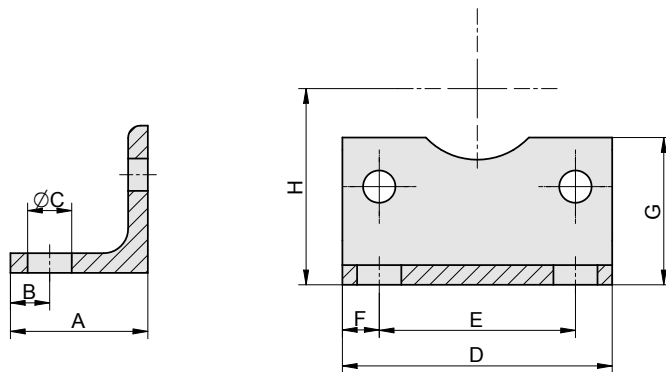
For piston dia. 32 to 100



Piston Ø	A	B	C	D	E	F	G	H	I	J	Weight	Order codes
20	22	55	70	36	-	13	10	22	6.6	5.5	0.16	2125 2000 0020 0000
25	28	60	76	40	-	18	10	26	6.6	5.5	0.18	2125 2000 0025 0000
32	36	65	80	50	32	22	10	32	7	6.5	0.22	2125 2000 0032 0000
40	40	82	102	60	36	29	10	40	9	6.5	0.36	2125 2000 0040 0000
50	50	90	110	68	45	37	12	50	9	8.5	0.56	2125 2000 0050 0000
63	62	110	130	87	50	49	16	62	9	10.5	1.08	2125 2000 0063 0000
80	82	135	160	107	63	55	16	82	12	10.5	1.76	2125 2000 0080 0000
100	103	163	190	130	75	61	16	103	13	13	2.68	2125 2000 0100 0000

FOOT MOUNTING FOR CYLINDER
• SHORT STROKE

Supply contains:
1 pc foot mounting
2 pcs screws



Piston Ø	A	B	C	D	E	F	G	H	Weight	Order codes
20	22	6	6.6	32	22	5	25	27	0.04	2125 2100 0020 0000
25	22	6	6.6	39	28	5.5	25	29	0.04	2125 2100 0025 0000
32	26	8	6.6	48	36	6	30	34	0.08	2125 2100 0032 0000
40	28	8	9	55	40	7.5	30	40	0.08	2125 2100 0040 0000
50	32	8	9	65	50	7.5	40	47	0.14	2125 2100 0050 0000
63	38	12	9	80	62	9	45	56	0.22	2125 2100 0063 0000
80	42	12	12	100	82	9	55	68	0.40	2125 2100 0080 0000
100	45	12	14	124	103	10.5	60	81	0.68	2125 2100 0100 0000