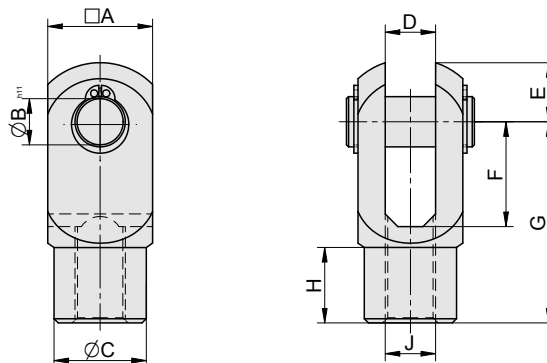




PISTON ROD CLEVIS
FOR ANTI-CORROSIVE - HYGIENIC CLEAN CYLINDERS

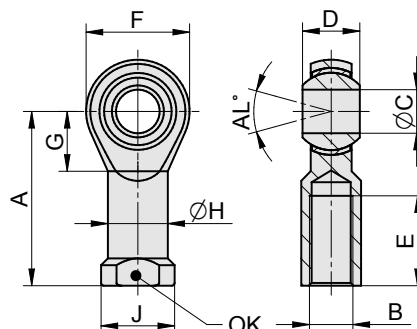
Supply contains (material):
1 pc clevis (AISI 304)
1 pc pivot pin (AISI 304)
2 pcs retaining rings (A2)



Piston Ø	A	B	C	D	E	F	G	H	J	Weight	Order codes
32	20	10	18	10	12	20	40	13	M10x1.25	0.09	2171 0100 0032 0000
40	24	12	22	12	14	24	48	13	M12x1.25	0.16	2171 0100 0040 0000
50 / 63	32	16	26	16	19	32	64	18	M16x1.5	0.31	2171 0100 0050 0000
80 / 100	40	20	32	20	25	40	80	22	M20x1.5	0.67	2171 0100 0080 0000

PISTON ROD EYE
FOR ANTI-CORROSIVE - HYGIENIC CLEAN CYLINDERS

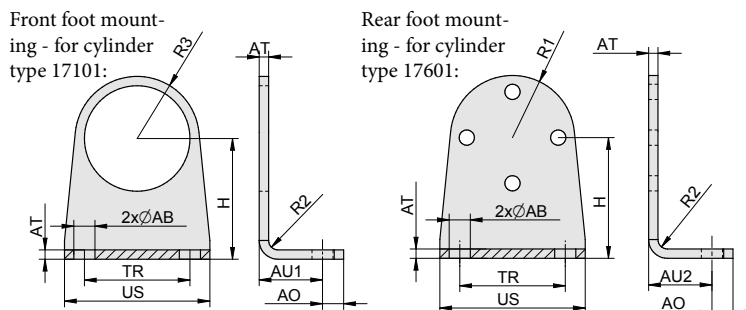
Supply contains (material):
1 pc eye
(body: 1.4057, bearing
ring: 1.4571 with PTFE
foil, ball: 1.4401)



Piston Ø	A	B	C	D	E	F	G	H	J	OK	AL	Weight	Order codes
32	43	M10x1.25	10	14	20	28	15	15	19	17	10	0.076	2171 0200 0032 0000
40	50	M12x1.25	12	16	22	32	17	17.5	22	19	12	0.115	2171 0200 0040 0000
50 / 63	64	M16x1.5	16	21	28	42	22	22	27	22	14	0.230	2171 0200 0050 0000
80 / 100	77	M20x1.5	20	25	33	50	27	27.5	34	32	14	0.415	2171 0200 0080 0000

FOOT MOUNTING
FOR ANTI-CORROSIVE - HYGIENIC CLEAN CYLINDERS

Supply contains (material):
1 pc foot (AISI 304)
1 pc nut or 4 pcs screws
-according to foot type (A4)



Piston Ø	AB	AO	AU1	AU2	AT	H	R1	R2	R3	TR	US	Weight	Order codes	
													(front foot mounting for cyl. type 17101)	(rear foot mounting for cyl. type 17601)
32	7	9	28.5	20.5	3	33	17.5	3	17.5	32	45	0.075	2171 2100 0032 0000	2176 2100 0032 0000
40	9	9	32	22	3	38	21.5	3	21.5	36	52	0.09	2171 2100 0040 0000	2176 2100 0040 0000
50	9	9	36	27	4	47	26.5	4	25	45	62	0.17	2171 2100 0050 0000	2176 2100 0050 0000
63	9	9	36	26	4	52	33	4	27	50	72	0.23	2171 2100 0063 0000	2176 2100 0063 0000
80	12	15	38.5	35.5	5	65	42.5	5	31	63	90	0.45	2171 2100 0080 0000	2176 2100 0080 0000
100	12	15	38.5	35.5	5	75	50	5	40	83	110	0.64	2171 2100 0100 0000	2176 2100 0100 0000