

## MOUNTING ACCESSORIES FOR CYLINDERS

• DIN ISO 6432 SERIES MCMIS  
STAINLESS STEEL



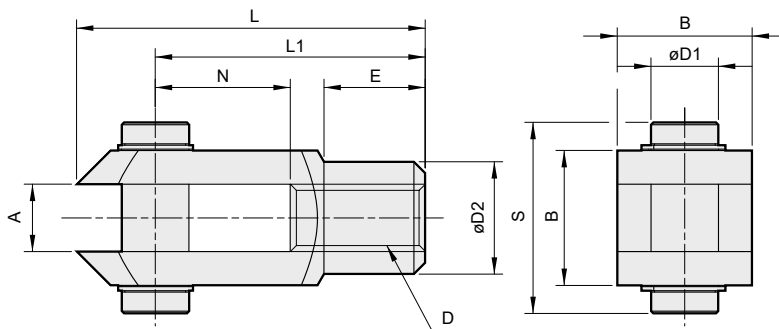
**STRÁNSKÝ A PETRŽÍK**

## PISTON ROD CLEVIS

• DIN ISO 6432 SERIES MCMIS  
STAINLESS STEEL

Supply contains:

- 1 pc clevis (stainless steel SUS304)
- 1 pc pivot pin (stainless steel)
- 2 pcs retaining rings



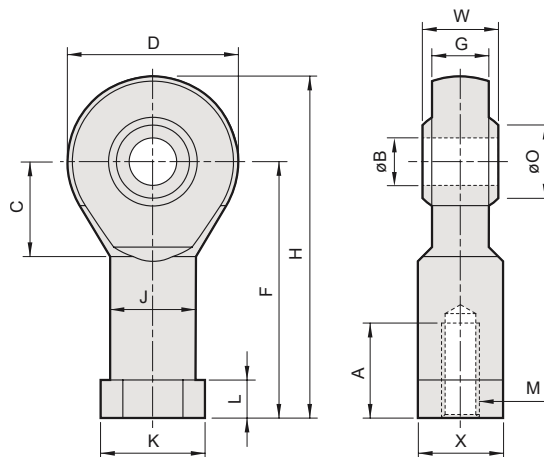
Piston Ø	A	B	D	D1	D2	E	L	L1	N	S	Weight	Order codes
12 / 16	6	12	M6	6	10	9	31	24	12	17	0,02	PYP-M6-12
20	8	16	M8	8	14	12	42	32	16	21	0,06	PYP-M6-20
25	10	20	M10x1,25	10	18	15	52	40	20	25	0,11	PYP-M6-25

## PISTON ROD EYE

• DIN ISO 6432 SERIES MCMIS  
STAINLESS STEEL

Supply contains:

- 1 pc rod eye (stainless steel, sintered bronze bush)



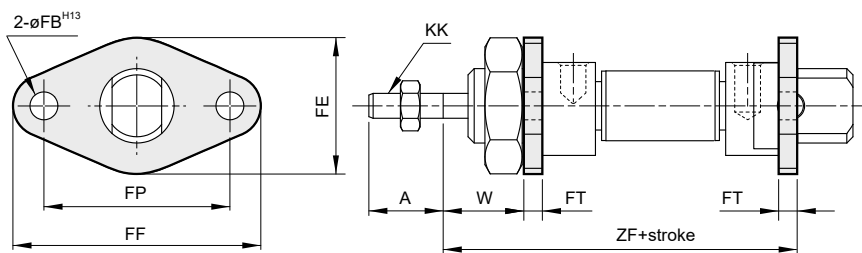
Piston Ø	A	B	C	D	F	G	H	J	K	L	M	O	W	X	Weight	Order codes
10	12	4	7	14	24	5,25	31	8	9,5	4	M4	7,6	7	8	0,01	PHS-S4-M4x0,7
12 / 16	12	6	11	20	30	6,75	40	10	13	5	M6	8,9	9	11	0,03	PHS-S6-M6x1
20	16	8	13	24	36	9	48	12,5	16	5	M8	10,4	12	14	0,05	PHS-S8-M8x1,25
25	20	10	15	28	43	10,5	57	15	19	6,5	M10x1,25	12,9	14	17	0,08	PHS-S10-M10x1,25

## FLANGE MOUNTING FOR CYLINDER

• DIN ISO 6432 SERIES MCMIS  
STAINLESS STEEL

Supply contains:

- 1 pc flange (stainless steel SUS304)



Piston Ø	A	FB	FE	FF	FP	FT	KK	W	ZF	Weight	Order codes
10	12	4,5	22	40	30	3	M4	13	65	0,01	PFA-M6-8
12	16	5,5	30	52	40	4	M6	18	74	0,03	PFA-M6-12
16	16	5,5	30	52	40	4	M6	18	79	0,03	PFA-M6-12
20	20	6,6	40	66	50	5	M8	19	96	0,05	PFA-M6-20
25	22	6,6	40	66	50	5	M10x1,25	23	101	0,05	PFA-M6-20