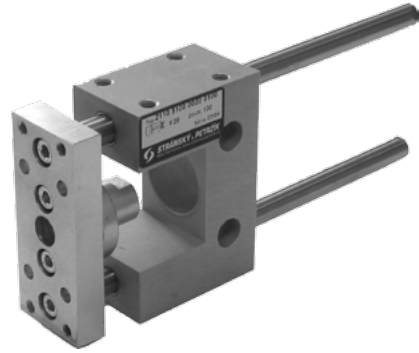




GUIDE UNIT „U“ WITH SLIDE BEARINGS FOR CYLINDER

• DIN ISO 6432



Supply contains:

- 1 pc guide body
- 1 pc flange
- 2 pcs guide rods
- 1 pc flange for fix to the cylinder

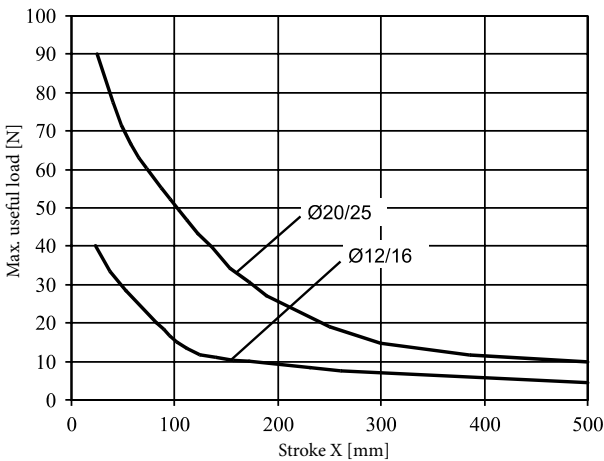
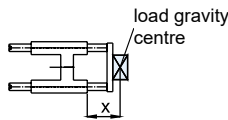
Guide unit can be mounted on any pneumatic cylinder to DIN ISO 6432. Guide secures piston rod against rotation, high torque loads and radial forces. Guide rods are mounted in slide bearings without clearance.

Order codes

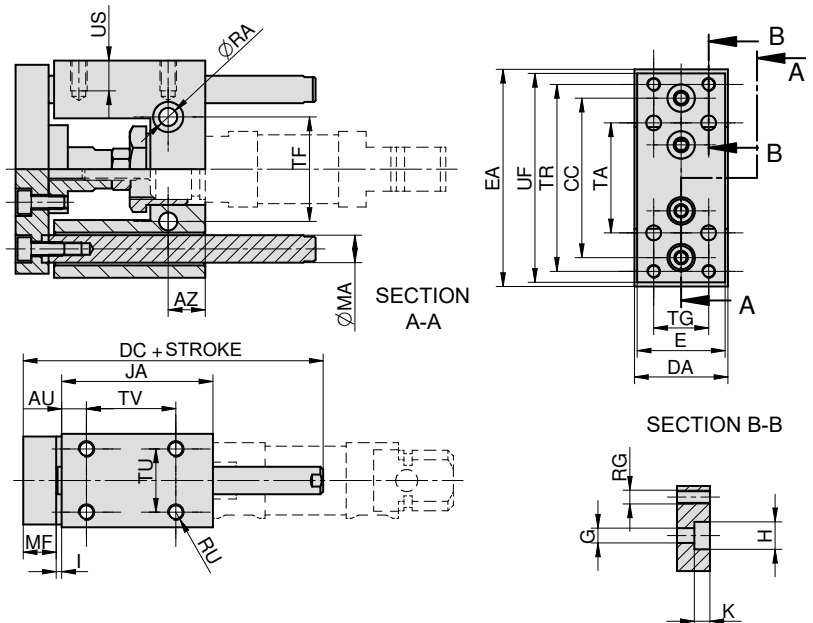
2110 510 00 025 0100

Guide unit U		Options		Piston diameter		Stroke	
2110	for cylinder DIN ISO 6432	00	without options	012	12 mm, 16 mm	xxxx	mm of stroke e.g. 0100 = stroke 100 mm
				020	20 mm		
				025	25 mm		

Useful load



Dimensions



Ø	AU	AZ	CC	DA	DC	E	EA	G	H	I	JA	K	MA
12/16	7,5	58	46	30	62	27	65	4,5	8	3	39	4,6	8
20/25	9	13,5	58	34	80	32	79	5,5	10	3	55	6	10

Ø	MF	RA	RG	RU	TA	TR	TF	TG	TU	TV	UF	US
12/16	10	5,5	M4	M4	32	54	24	15	22	25	63	8
20/25	12	6,5	M5	M6	40	68	38	20	23	32,5	76	12

Construction / materials

- guide bars: grounded round steel bar CK45 with chrome plated surface
- guide body: aluminium casting
- flange and nut: zinc plated steel
- bearings: slide, self-lubricating

Piston diameter [mm]	12/16	20	25
Weight 0 mm stroke [kg]		0,49	0,48
Weight add. per 1 mm stroke [kg]		0,001	0,001