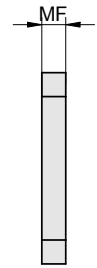
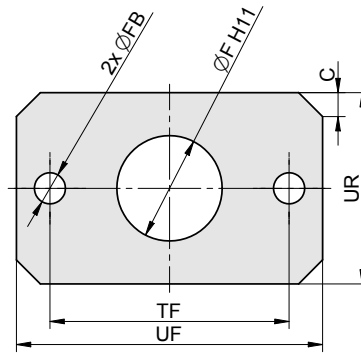
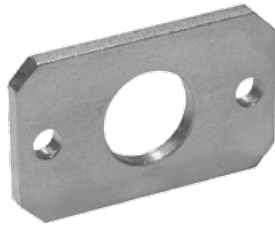




FLANGE MOUNTING FOR CYLINDER

• DIN ISO 6432

Supply contains:
1 pc flange mounting

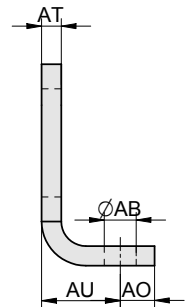
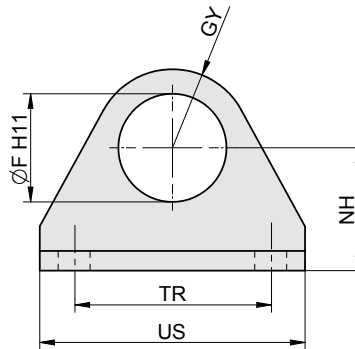


Piston Ø	C	F	FB	MF	TF	UF	UR	Weight	Order codes
12 / 16	5	16	5.5	4	40	52	28	0.04	2110 2000 0012 0000
20 / 25	5	22	6.5	5	50	64	38	0.12	2110 2000 0020 0000

FOOT MOUNTING FOR CYLINDER

• DIN ISO 6432

Supply contains:
1 pc foot mounting

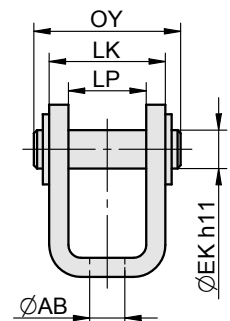
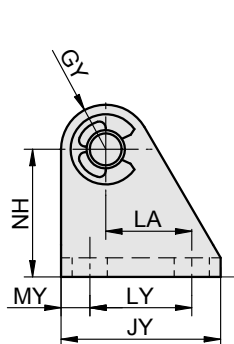


Piston Ø	AB	AO	AT	AU	F	GY	NH	TR	US	Weight	Order codes
12 / 16	5.5	6	3	13	16	12	20	32	44	0.04	2110 2100 0012 0000
20 / 25	6.5	7	4	16	22	16	25	40	54	0.10	2110 2100 0020 0000

CLEVIS FOOT MOUNTING FOR CYLINDER

• DIN ISO 6432

Supply contains:
1 pc clevis
1 pc pivot pin
2 pcs retaining rings



Piston Ø	AB	EK	GY	JY	LA	LK	LP	LY	MY	NH	OY	Weight	Order codes
12 / 16	5.5	6	7	25	13.5	18.2	12.2	16	4.5	20	23	0.02	2110 3000 0012 0000
20 / 25	6.5	8	10	32	16	22.2	16.2	20	6	25	30	0.02	2110 3000 0020 0000