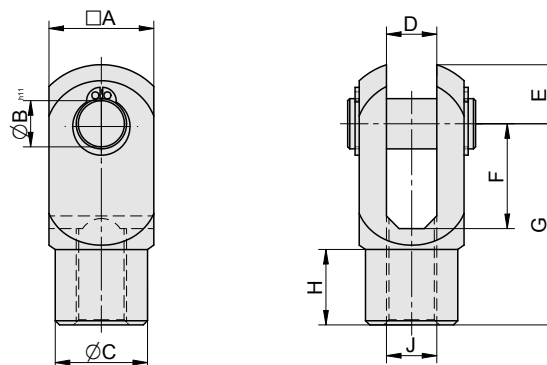




PISTON ROD CLEVIS

Supply contains:
1 pc clevis
1 pc pivot pin
2 pcs retaining rings



Piston \varnothing^*	A	B	C	D	E	F	G	H	J*	Weight	Order codes
12 / 16	12	6	10	6	7.6	12	24	10	M6	0.005	2110 0100 0012 0000
20	16	8	14	8	10	16	32	14	M8	0.02	2110 0100 0020 0000
25 / 32	20	10	18	10	12.6	22	40	13	M10x1.25	0.06	2110 0100 0025 0000
40	25	12	22	12	14	25	48	18	M12x1.25	0.12	2101 0100 0040 0000
50 / 63	28	16	26	16	14	32	64	23	M16x1.5	0.16	2101 0100 0050 0000
80 / 100	35	20	34	20	18	45	80	23.5	M20x1.5	0.36	2101 0100 0080 0000
125	55	30	48	30	38	60	110	40	M27x2	1.56	2101 0100 0125 0000
160 / 200	70	35	60	35	57	85	144	45	M36x2	3.60	2101 0100 0160 0000
250	85	40	70	40	64	84	168	65	M42x2	6.32	2101 0100 0250 0000
320	96	50	80	50	73	96	192	70	M48x2	6.86	2101 0100 0320 0000

*) Please check dimensions of thread on cylinder and accessories for piston rod, before you order it (for example: compact cylinder piston dia. 40 mm has thread M10x1.25 on piston rod, piston rod clevis for cylinder dia. 40 has thread M12x1.25, so it is necessary to order piston rod clevis for cylinder dia. 25/32, where is thread M10x1.25).

i Piston rod clevis for CNOMO cylinders can be found on page 4-18.

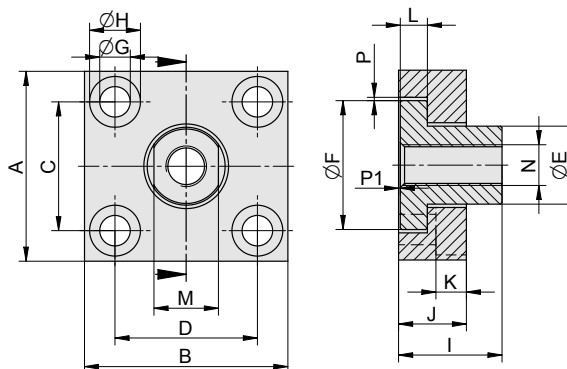


i Piston rod clevis for anticorrosive - hygienic clean cylinders can be found on page 4-27.



FLANGED PISTON ROD COUPLING

Supply contains:
1 pc flange



Piston \varnothing^*	A	B	C	D	E	F	G	H	I	J	K	L	M	N*	P	P1	Weight	Order codes
12 / 16	30	25	20	15	12	18	5.5	-	16	8	-	3.5	10	M6	1	0.5	0.02	2110 0300 0012 0000
20	35	30	25	20	14	20	5.5	-	22	8	-	3.5	13	M8	1	0.5	0.04	2110 0300 0020 0000
25 / 32	60	37	36	23	20	30	6.4	11	24	15	7	7	17	M10x1.25	1	0.5	0.20	2110 0300 0025 0000
40	60	56	42	38	25	40	9	15	30	20	9	8	19	M12x1.25	1	0.5	0.44	2101 0300 0040 0000
50 / 63	80	80	58	58	30	50	11	18	32	20	11	9	24	M16x1.5	1	0.5	0.84	2101 0300 0050 0000
80 / 100	90	90	65	65	40	60	14	20	35	20	13	10	36	M20x1.5	1	0.5	1.10	2101 0300 0080 0000
125	90	90	65	65	40	60	14	20	35	20	13	10	36	M27x2	1	0.5	1.06	2101 0300 0125 0000
160 / 200	120	120	80	80	50	70	17	26	42	20	14	12	46	M36x2	1	0.5	1.98	2101 0300 0160 0000

*) Please check dimensions of thread on cylinder and accessories for piston rod, before you order it (for example: compact cylinder piston dia. 40 mm has thread M10x1.25 on piston rod, piston rod clevis for cylinder dia. 40 has thread M12x1.25, so it is necessary to order piston rod clevis for cylinder dia. 25/32, where is thread M10x1.25).