

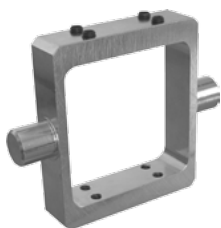
- ISO 15552, VDMA 24562, NF E 49003.1
- DIN ISO 6431, VDMA 24562, NF E 49003.1
- COMPACT



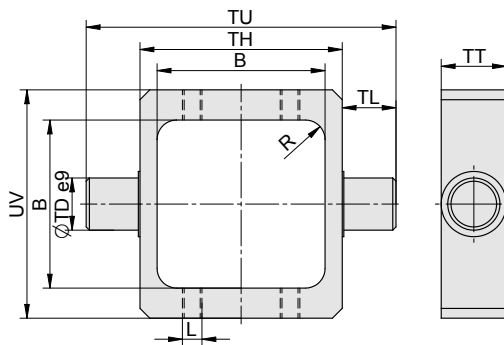
PIVOT PIN FOR CYLINDER

• ISO 15552, VDMA 24562, NF E 49003.1

Supply contains:
1 pc pivot pin
8 pcs screws



i Can be combined with:
Trunnion mounting
(page 4-10)



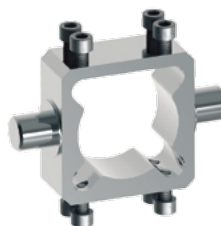
Piston Ø	L	TD	TL	TH	TT	TU	UV	B	R	Weight	Order codes
32	M6	12	12	50	20	74	65	44.5	5	0.20	2102 4100 0032 0000
40	M6	16	16	63	20	95	70	51.5	6	0.31	2102 4100 0040 0000
50	M6	16	16	75	20	107	85	64.5	6	0.37	2102 4100 0050 0000
63	M6	20	20	90	25	130	95	75.5	8	0.61	2102 4100 0063 0000
80	M8	20	20	110	25	150	120	94	10	0.90	2102 4100 0080 0000
100	M8	25	25	132	30	182	130	112	10	1.63	2102 4100 0100 0000

4

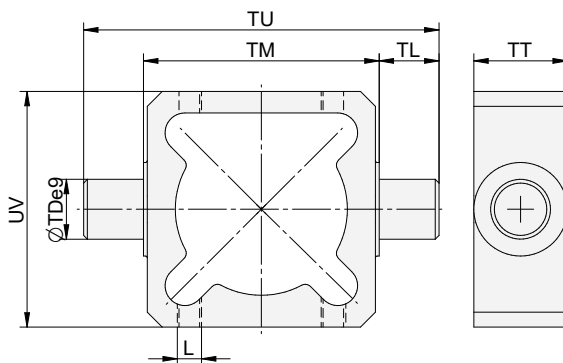
PIVOT PIN FOR CYLINDER

• DIN ISO 6431, VDMA 24562, NF E 49003.1
WITH INTEGRATED GROOVES

Supply contains:
1 pc pivot pin
8 pcs screws



i Can be combined with:
Trunnion mounting
(page 4-10)



Piston Ø	L	TD	TL	TM	TT	TU	UV	Weight	Order codes
32	M5	12	12	50	25	74	63	0,13	2104 4100 0032 0000
40	M6	16	16	63	25	95	63	0,15	2104 4100 0040 0000
50	M6	16	16	75	28	107	85	0,68	2104 4100 0050 0000
63	M6	20	20	90	32	130	95	0,92	2104 4100 0063 0000
80	M6	20	20	110	32	150	120	1,37	2104 4100 0080 0000
100	M8	25	25	132	40	182	142	2,69	2104 4100 0100 0000