



A range of clamps for heavy-duty applications with long service life. Pneumatic toggle clamps are particularly suitable for securing components during welding, in the automotive industry, or wherever a high clamping force is required. Once clamped, the mechanism provides self-locking security, preventing release in the event of compressed air failure. They are equipped with a double-acting pneumatic cylinder with a magnetic piston for non-contact position sensing.

Working pressure	0,6 MPa
Min. pressure	0,15 MPa
Max. pressure	1,0 MPa
Temp. range	-30°C to +80°C
Working medium	modified compressed air

2

Piston diameter [mm]	63
Connections	G1/4"
Release stroke [mm]	50
Pneumatic cylinder stroke [mm]	115
Clamping force F2 at pressure 0,6 MPa [N]	10.000
Locking force F1 at clamped position [N]	25.000
Weight [kg]	8,90

Order codes

2000 10259 063 0115

Piston diameter		Stroke	
063	63 mm	0115	115 mm, release stroke 50 mm



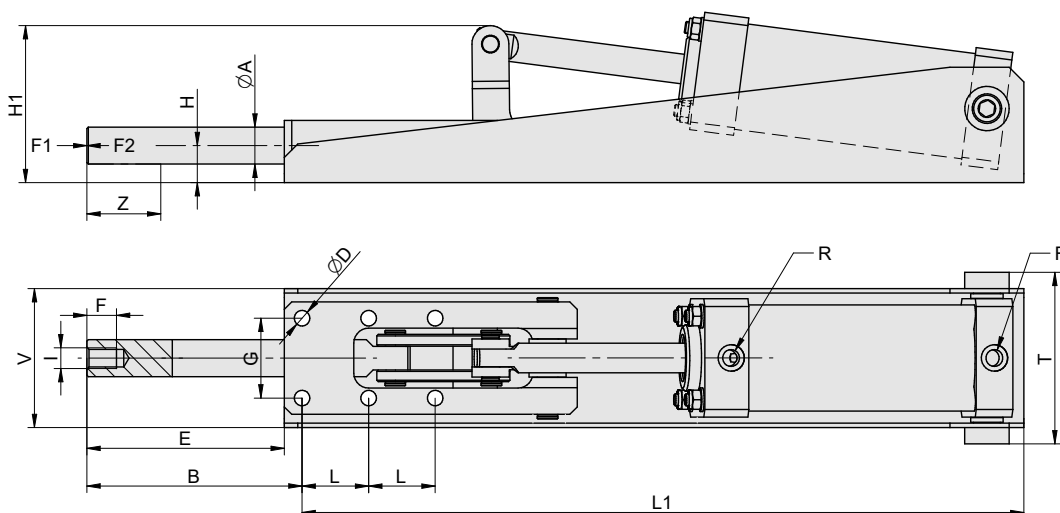
In case of proximity sensing request, please use switches series KT-21 or RZT7/MZT8 - see page 3-2 and 3-4 for details (cylinder with profile VDMA 24562).



Caution

The clamp must be correctly adjusted in its working (clamped) position, to be self-locking.

Dimensions



∅	A	B	D	E	F	G	H	H1	I	L	L1	R	T	V	Z
63	25	145,5	10,5	133,5	20	54	25	106	M14	45	488	G1/4"	116	94	50

Construction / materials

- body, end cap: dural, anodized
- piston rod and clamping rod: CK45
- arm and cosnole: steel, zinc plated
- clamping rod guide: slide bearing

Notes:
The clamp is shown in the extended (clamped) position.
Z indicates the clamping stroke.