

PNEUMATIC SHAKE DEVICES BALL VIBRATOR



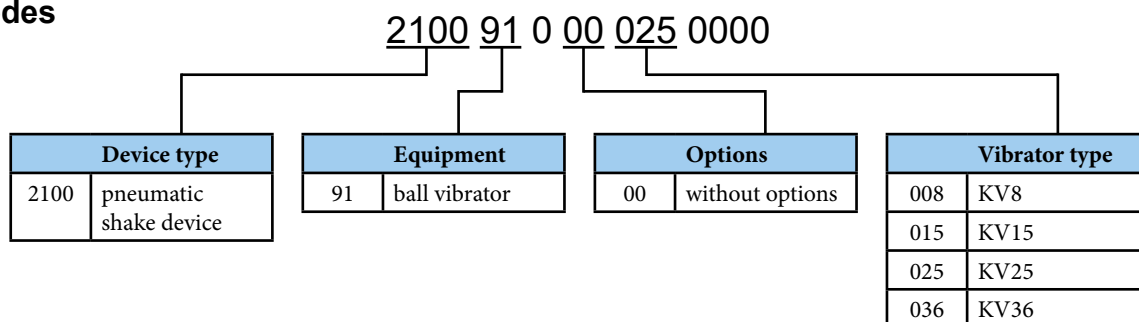
Ball vibrator could be used for bulk material release if the bulk material was adhered on walls of tubes or filling hopper. It can be used for such as materials which doesn't solidify by intensive shedding; in this case pneumatic knocker should be used.

Working pressure	0,6 MPa
Min. pressure	0,2 MPa
Max. pressure	1,0 MPa
Temp. range	-20°C to +80°C
Working medium	modified compressed air

2

Type	KV8	KV15	KV25	KV36
Ball diameter [mm]	8	15	25	36
Connection	G1/4"	G1/4"	G1/4"	G3/8"
Weight [kg]	0.4	0.5	0.7	1.6
Recommended hose orifice of air supply [mm]	8	10	10	12
Minimal tightening torque of fixing screws [Nm]	10.4	25	25	51

Order codes



Installation and operation notes

There is necessary to adhere minimal tightening torque of fixing screws (see values in table above). Fixing screws aren't included in supply. We recommend to fix fixing screws with Loctite 242E or similar adhesive.

There is necessary to check right tightening of fixing screws regularly to prevent their releasing.

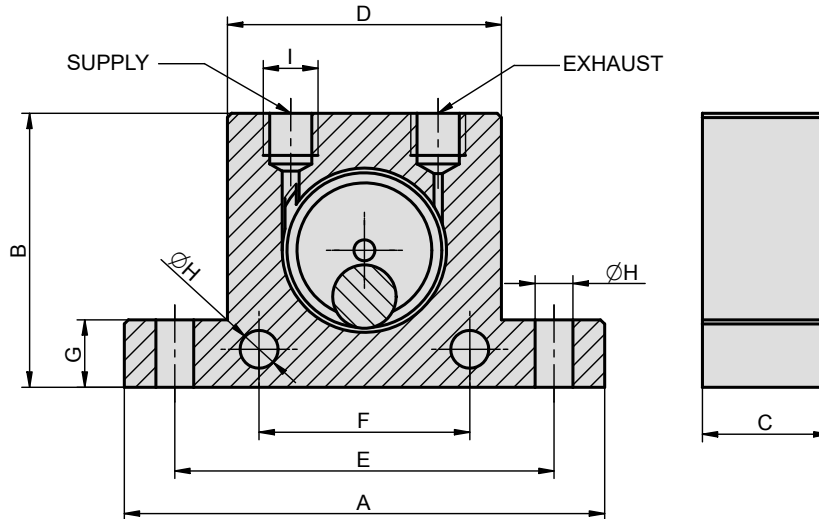
The silencer is required on exhaust to avoid excessive noise. The silencer must be kept clear otherwise danger of vibrator body failure and injury impend.

Compressed air supply must be connected to port marked as V (eventually VSTUP, IN, or 1).

Construction / materials

- body and caps: anodized dural
- ball: precise bearing ball
- ball guide: hardened steel

Dimensions

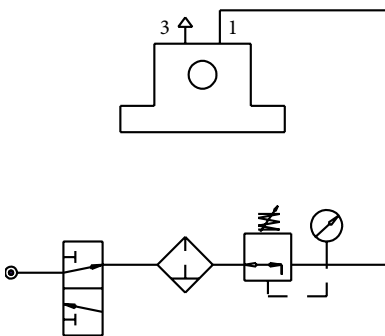


TYPE	A	B	C	D	E	F	G	H	I	Ball diameter
KV8	86	50	25	50	68	40	12	7	G1/4"	8
KV15	114	65	30	65	90	50	15	9	G1/4"	15
KV25	123	80	40	80	104	60	15	9	G1/4"	25
KV36	160	100	56	100	130	80	20	10.5	G3/8"	36

Technical data

Type	KV8 values at pressure [MPa]			KV15 values at pressure [MPa]			KV25 values at pressure [MPa]			KV36 values at pressure [MPa]		
	0.2	0.4	0.6	0.2	0.4	0.6	0.2	0.4	0.6	0.2	0.4	0.6
Frequency [1/min]	24500	31000	35000	14300	17600	20200	10100	13200	14500	7500	9300	10300
Centrifugal force [N]	180	290	370	540	820	1090	1180	2000	2420	2340	3590	4400
Air consumption [l/min]	83	145	195	122	200	280	160	280	425	260	475	675

Recommended connection



There is useful to use pressure regulator in circuit to enable vibration intensity regulation. If you need to start vibrator by another way than manually, there is necessary to use appropriate 2/2 or 3/2 valve which should be connected between pressure regulator and vibrator.