



Stopper cylinders are used for safety stop or separation of objects which moves on belt, roller, chain or other conveyor. Regarding the series (see description below), the cylinders can be equipped for example with hydraulic shock absorber for soft stop of moving object, or with spring for automatic separation of two objects.

For more information like technical data, order codes, allowable load and dimensions, please visit our web page on www.sappv.cz/r/v31e, www.sappv.cz/r/v32e or www.sappv.cz/r/v33e

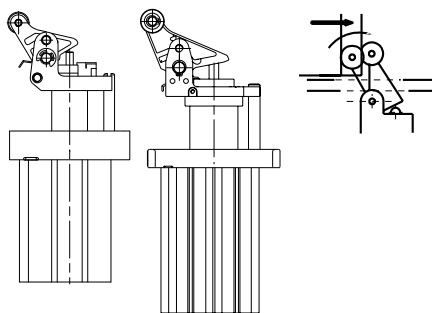
Working pressure	0,6 MPa
Min. pressure	0,2 MPa
Max. pressure	1,0 MPa
Temp. range	-5°C to +60°C
Working medium	modified compressed air

Series	MSBE				MSBR			
Type	double acting with spring and shock absorber				double acting with roller	single acting (spring extended) with roller		
Piston diameter / stroke [mm]	Ø 32 / 20	Ø 50 / 30	Ø 63 / 30	Ø 80 / 40	Ø 20 / 20	Ø 32 / 20	Ø 40 / 30	Ø 50 / 30
Magnet for position sensing	yes	yes	yes	yes	yes	yes	no	no
Picture								

Series	MSBS		
Type	double acting for direct stop		
Piston diameter / stroke [mm]	Ø 20 / 10	Ø 32 / 20	Ø 50 / 30
Magnet for position sensing	yes	yes	yes
Picture			

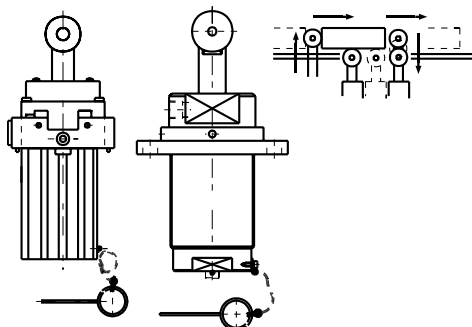
i In case of proximity sensing request, please contact our technical dept. for details

With shock absorber



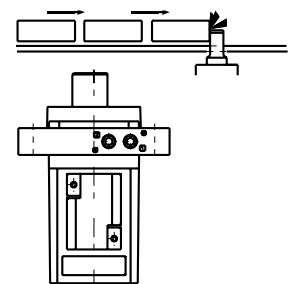
The built-in shock absorber softly catches and stops the work carrier. The strength of absorber can be easily adjusted, which makes the cylinder work in the best condition, conforming to the speed of the conveyor line and the weight of the work carrier.

With roller



The top rollers with the built-in spring return in touch with the bottom of the work carrier. Automatically returns up to the original position as the work carrier pass by, and immediately works as a stopper for the next work carrier. Therefore the timing carriers does not need to be taken.

For direct stop



Rod and cylinder are designed for toughness against the large side load. Also suitable for the relatively slow-moving conveyor line with the heavy work carriers.