

DOUBLE ACTING PNEUMATIC CYLINDERS DIN ISO 6432, SERIES MCKMI, WITH NON-ROTATING ROD



STRÁNSKÝ A PETRŽÍK

A series of cylinders with a piston rod secured against spontaneous rotation. The piston rod has a hexagonal shape and may only be loaded up to the permitted torque value. Dimensions conforms to the international standard ISO 64321. Magnet for proximity switches is standard, fully adjustable cushioning at end of stroke is optional for diameters 20 and more.



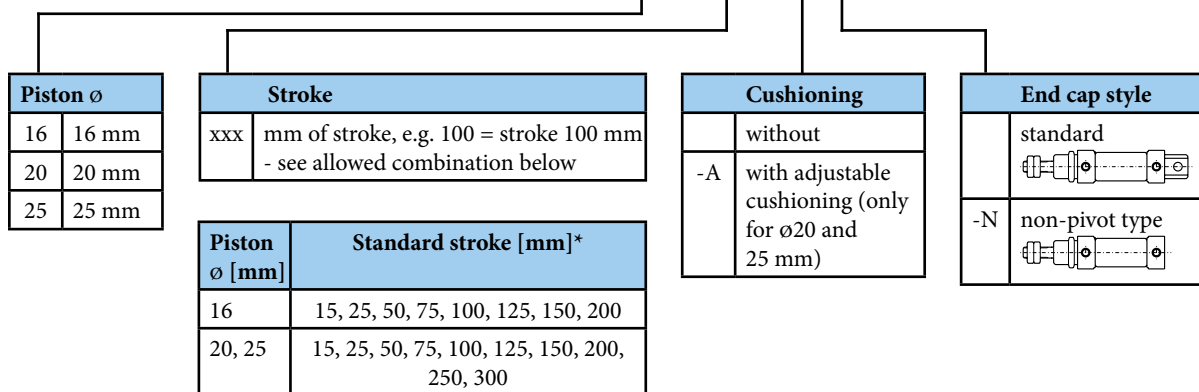
1

Working pressure	0,5 MPa
Min. pressure	0,06 MPa
Max. pressure	1,0 MPa
Temp. range	-5°C to +60°C
Working medium	modified compressed air

Piston diameter [mm]	16	20	25
Thrust at 0,5 MPa [N]	91	141	221
Return force at 0,5 MPa [N]	73	111	173
Connection	M5	G1/8"	G1/8"
Length of adjustable cushioning [mm]	-	15	13
Max. stroke [mm]	500	300	500
Working speed [mm/s]	50 to 750		
Allowable rotational torque at piston rod [Nm]	0,04	0,2	0,24
Rod non-rotating accuracy [°]	±1	±0,7	±0,7
Weight 0 mm stroke [kg]	0,07	0,13	0,17
Weight add. per 1 mm stroke [kg]	0,0005	0,0008	0,0012

Order codes

P MCKMI - 11 - 20 - 100 -A -N



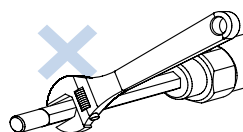
*) Other strokes are possible, please contact our technical department.



In case of proximity sensing request, please contact our technical department.

Caution

Please don't attempt to rotate the piston rod.

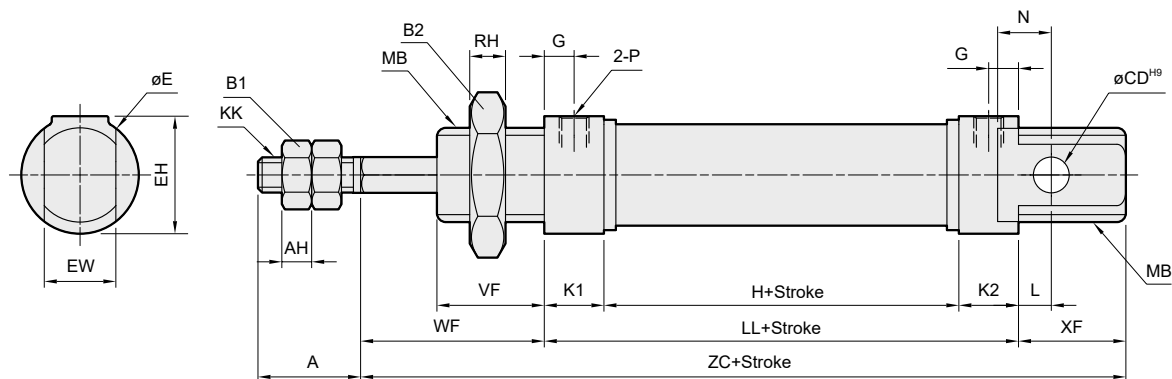


Construction / materials

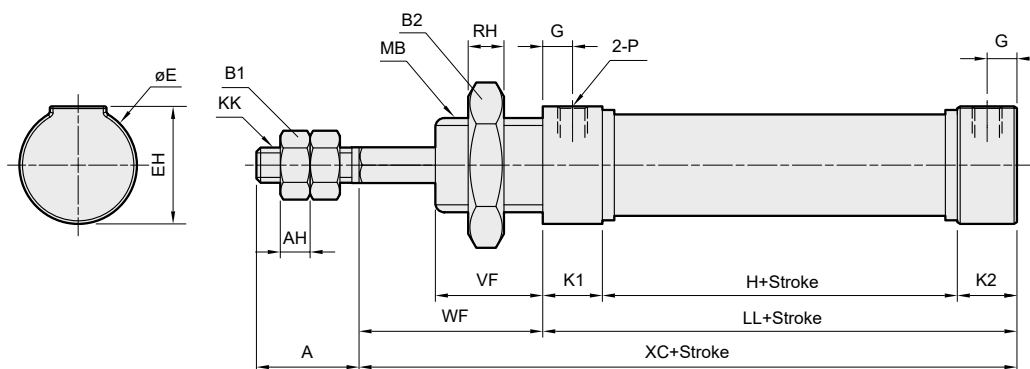
- caps, piston: aluminium alloy
- tube: stainless steel
- piston rod: stainless steel
- sealing: NBR
- nuts: carbon steel

Dimensions

Type with standard end cap

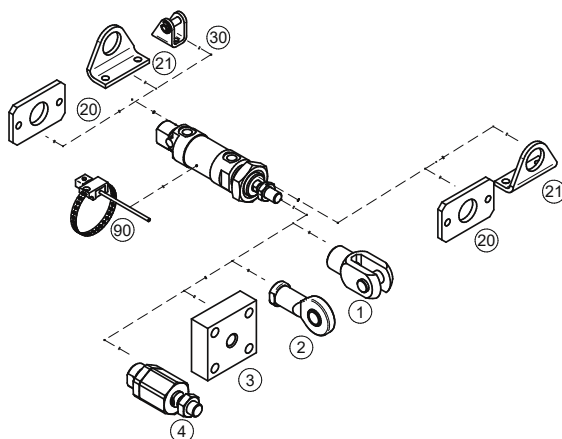


Type with non-pivot end cap



∅	A	AH	B1	B2	CD	E	EH	EW	G	H	KK	K1	K2	L	LL	MB	N	P	RH	VF	WF	XC	XF	ZC
16	16	5	10	22	6	20	20	12	5	34,5	M6	10	10	5,5	54,5	M16x1,5	9	M5	6	18	22	76,5	18	94,5
20	20	5	13	30	8	27	27	16	8	38	M8	15	15	3	68	M22x1,5	12	G1/8 ^{sc}	6	20	24	92	20	112
25	22	6	17	30	8	27	27	16	7,5	37	M10x1,25	15	15	9	67	M22x1,5	12	G1/8 ^{sc}	6	22	28	95	22	117

Mounting accessories



Mounting accessories		... see page
1	Piston rod clevis	... 4-2
2	Piston rod eye	... 4-3
3	Flanged piston rod coupling	... 4-2
4	Self-aligning piston rod coupling	... 4-3
20	Flange mounting	... 4-21
21	Foot mounting	... 4-21
30	Swivel flange	... 4-21
90	Prox. switch	