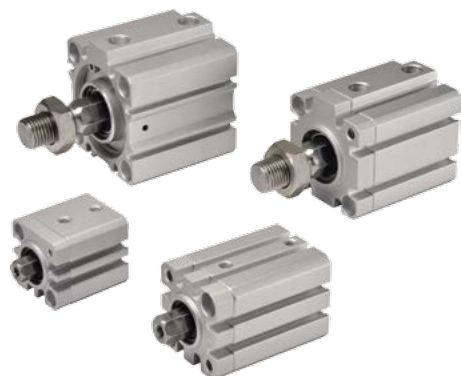


# DOUBLE ACTING PNEUMATIC CYLINDERS COMPACT, SERIES MCKJQ3, WITH NON-ROTATING ROD



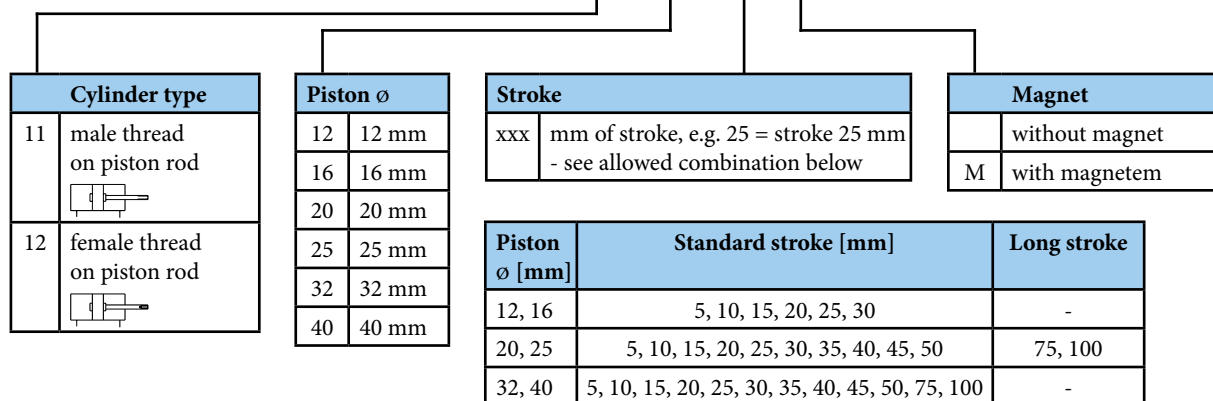
A series of cylinders with a piston rod secured against spontaneous rotation. The piston rod has a hexagonal shape and may only be loaded up to the permitted torque value. This series can be used wherever short installation dimensions are required. The cylinders do not have end position damping. They can be equipped with a magnet for proximity position sensing.

Working pressure	0,6 MPa
Min. pressure	ø12, 16: 0,1 MPa ø20, 25: 0,08 MPa ø32, 40: 0,06 MPa
Max. pressure	1,0 MPa
Temp. range	-5°C to +60°C
Working medium	modified compressed air

Piston diameter [mm]	12	16	20	25	32	40
Thrust at 0,6 MPa [N]	61	109	170	265	434	679
Return force at 0,6 MPa [N]	41	72	113	183	323	567
Connection	M5	M5	M5	M5	G1/8"	G1/8"
Max. stroke [mm]	30	30	100	100	100	100
Working speed [mm/s]	50 to 500					
Allowable rotational torque at piston rod [Nm]	0,04	0,2	0,24	0,24	0,44	0,44
Rod non-rotating accuracy [°]	±1	±0,7	±0,7	±0,5	±0,5	±0,5
Weight 0 mm stroke [kg] with male / female thread, standard stroke	0,05 / 0,05	0,07 / 0,06	0,13 / 0,12	0,19 / 0,18	0,28 / 0,25	0,32 / 0,28
Weight 0 mm stroke [kg] with male / female thread, long stroke	-	-	0,31 / 0,31	0,41 / 0,40	-	-
Weight add. per 1 mm stroke [kg]	0,0014	0,0018	0,0028	0,0036	0,0044	0,0046

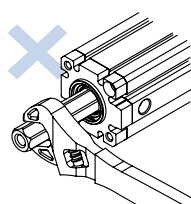
## Order codes

P MCKJQ3 - 11 - 20 - 25 M - G



**i** In case of proximity sensing request, please contact our technical department.

**! Caution**  
Please don't attempt to rotate the piston rod.



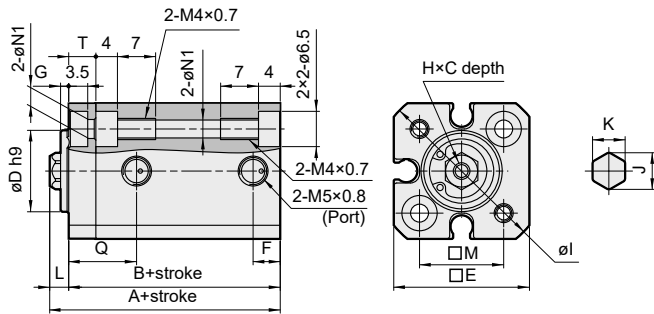
## Construction / materials

- caps, piston: aluminium alloy
- body: drawn dural profile, anodized
- piston rod: stainless steel
- sealing: NBR
- fasteners: carbon steel, stainless steel

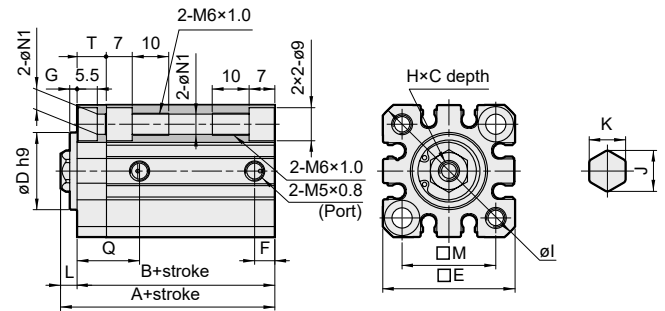
**Dimensions**

**Type with female thread on piston rod**

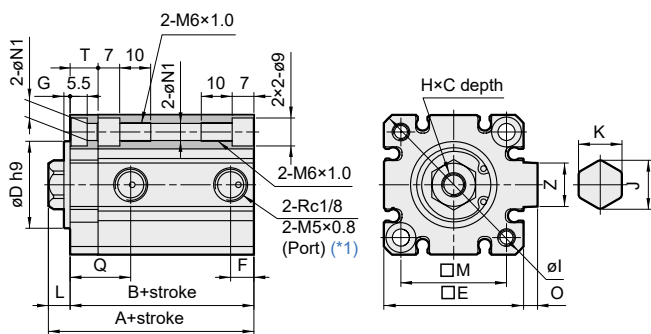
Piston diameter 12 and 16 mm:



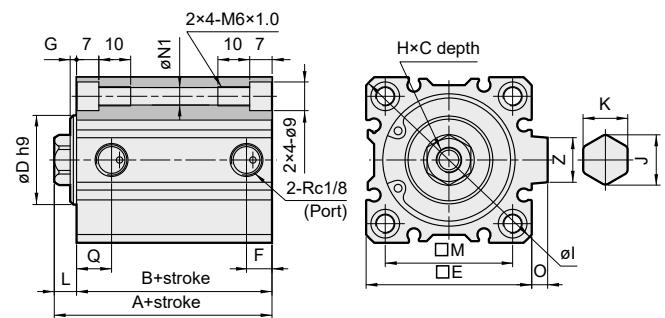
Piston diameters 20 and 25 mm:



Piston diameter 32 mm:



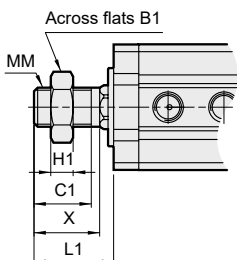
Piston diameter 40 mm:



∅	Stroke	Without magnet			With magnet			C	D h9	E	F	G	H	I	J	K	L	M	N1	O	Q	T	Z
		A	B	F	A	B	F																
12	5-30	25,5	22	-	30,5	27	-	6	15	25	5	1,5	M3	32	6,74	6	3,5	15,5	3,5	-	12,5	5	-
16	5-30	27	23,5	-	32	28,5	-	8	19	29	5	1,5	M4	38	8,96	8	3,5	20	3,5	-	14	6,5	-
20	5-50	32	27,5	5,5	42	37,5	5,5	7	21	36	-	2	M5	47	11,24	10	4,5	25,5	5,5	-	17	8	-
	51-100	53,5	49	9	53,5	49	9																
25	5-50	35,5	30,5	5,5	45,5	40,5	5,5	12	22	40	-	2	M6	52	13,52	12	5	28	5,5	-	19	8	-
	51-100	57	52	11	57	52	11																
32	5-50	39	32	-	49	42	-	13	28	45	7,5*	2	M8	60	15,76	14	7	34	5,5	4,5	19,5*	9	14
	51-100	49	42	-	49	42	-																
40	5-50	36,5	29,5	-	46,5	39,5	-	13	28	52	8	2	M8	70	15,76	14	7	40	5,5	5	11	-	14
	51-100	46,5	39,5	-	46,5	39,5	-																

\*) Dimensional deviation for ∅32 with 5 mm stroke without magnet: port is M5, F=5,5 and Q=20,5

**Type with male thread on piston rod**



∅	B1	C1	H1	L1	MM	X
12	8	9	4	14	M5	10,5
16	10	10	5	15,5	M6	12
20	13	12	5	18,5	M8	14
25	17	15	6	22,5	M10x1,25	17,5
32	22	20,5	8	28,5	M14x1,5	23,5
40	22	20,5	8	28,5	M14x1,5	23,5

(other dimensions are identical to the type with female thread on the piston rod)

**Mounting accessories**

You can find the range of mounting accessories for the MCKJQ3 series on our website at [sappv.cz/r/v23e](http://sappv.cz/r/v23e)