

# DOUBLE ACTING PNEUMATIC CYLINDERS WITH DOUBLE PISTON ROD DIN ISO 6431, VDMA 24562



**STRÁNSKÝ A PETRŽÍK**



Mounting dimensions meets standard VDMA 24562. Fully adjustable cushioning at end of stroke is available. Using of double piston rod, the rotation of equipment mounted on connecting plate is prevented. This cylinder may not be efforted by torque. Piston rods are guided in slide bearings without clearance.

Working pressure	0,6 MPa
Min. pressure	0,15 MPa
Max. pressure	1,0 MPa
Temp. range	-20°C to +80°C
Working medium	modified compressed air

Piston diameter [mm]	32	40	50	63	80	100	125	160	200
Thrust at 0,6 MPa [N]	482	754	1178	1870	3015	4713	7363	12064	18849
Return force at 0,6 MPa [N]	422	660	1042	1735	2775	4335	6774	11098	17884
Connection	G1/8"	G1/4"	G1/4"	G3/8"	G3/8"	G1/2"	G1/2"	G3/4"	G3/4"
Length of adjustable cushioning [mm]	12	12	12	16	16	20	30	33	33
Max. stroke [mm] *	1000*	1000*	1000*	1000*	1500*	1500*	1500*	1500*	1500*
Weight 0 mm stroke [kg]	0,57	0,68	1,15	1,75	2,90	5,10	9,1	16,60	28,00
Weight add. per 1 mm stroke [kg]	0,003	0,003	0,005	0,007	0,008	0,009	0,017	0,0278	0,0285

\*) Stroke of cylinder may be longer after agreement with our technical dept.

## Order codes

10115 61 00 050 0100

Type		Equipment		Options		Piston diameter		Stroke / Repair kit	
10115	DIN ISO 6431, VDMA 24562, NF E 49003.1, double acting, with double piston rod	01	w/o cushioning, w/o magnet	00	without options	032	32 mm	xxxx	mm of stroke e.g.: 0100 = stroke 100 mm
		11	w/o cushioning, with magnet	10	Viton® piston rod sealing	040	40 mm		
		51	with cushioning, w/o magnet	13	round tube*	050	50 mm		
		61	with cushioning, with magnet	14	1.4301 stainless steel piston rod	063	63 mm	9999	repair kit
				16	steel parts from stainless 1.4301 piston rod stainless 1.4401	080	80 mm		
				37	composite round tube+opt. 10 and 16	100	100 mm		
						125	125 mm		
						160	160 mm		
						200	200 mm		

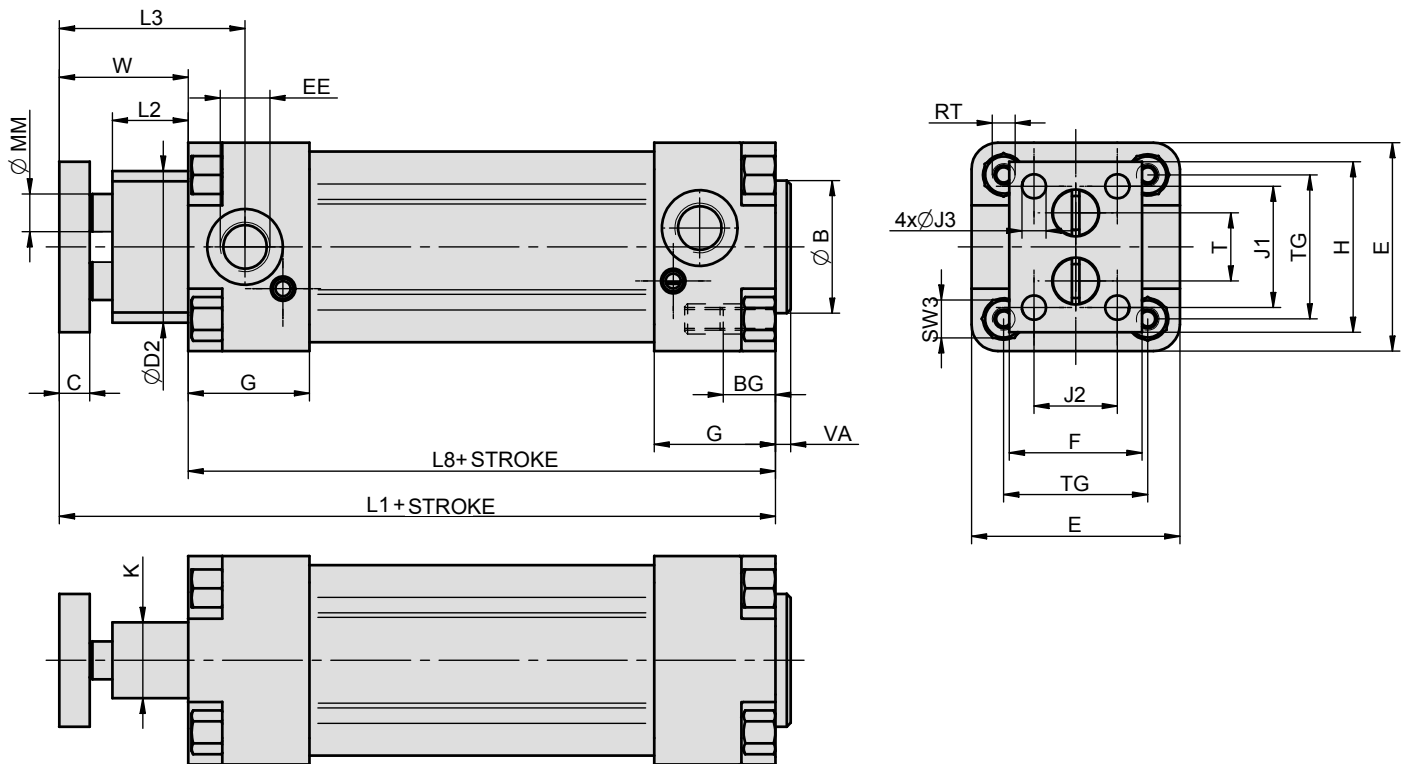
\*) Only valid for piston dia. 32 to 100 mm included

For more options regarding materials or dimensions, please contact our technical dept.

## Construction / materials

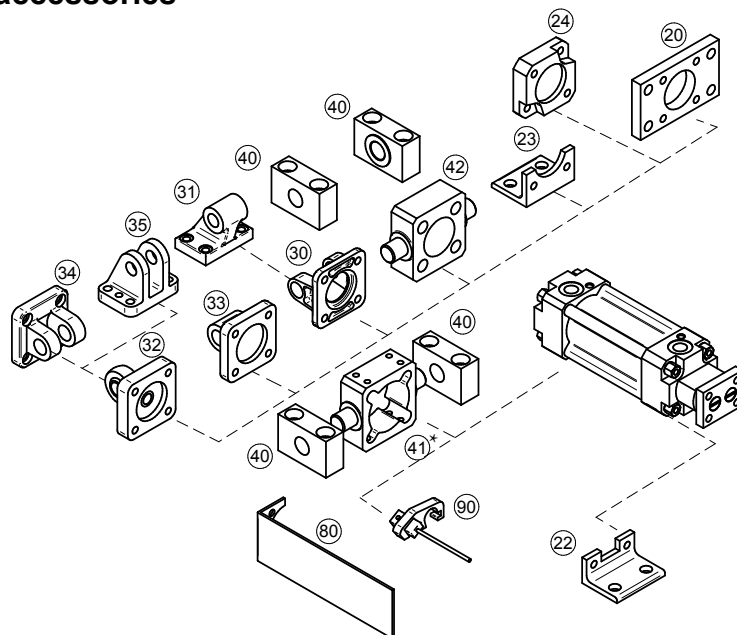
- front cap: drawn dural profile, anodised, end cap: aluminium casting, anodised
- body: drawn dural profile, anodized, piston dia. 125-200: drawn dural tube
- piston rod: grounded round steel bar CK45 with hard chrome plated surface

**Dimensions**



Ø	B	BG	C	D2	E	EE	F	G	H	J1	J2	J3	K	L1	L2	L3	L8	MM	RT	SW3	T	TG	VA	W
32	30	16	8	36	48	G1/8"	30	31.5	40	30	20	5.4	16	126	18	47	94	8	M6	10	14	32.5	4	32
40	35	16	8	40	55	G1/4"	35	32	45	32	22	6.4	20	139	20	49	105	10	M6	10	18	38	4	34
50	40	16	8	50	65	G1/4"	40	30	50	38	28	6.4	24	143	22	53	106	12	M8	14	25	46.5	4	37
63	45	17	8	60	75	G3/8"	45	30	60	45	30	6.4	28	158	22	53	121	12	M8	14	26	56.5	4	37
80	45	19	10	76	94	G3/8"	60	30	75	60	45	8.2	40	178	31	65	128	16	M10	17	40	72	4	50
100	55	17	12	90	115	G1/2"	70	36	90	75	55	8.2	50	192	34	72	138	20	M10	17	50	89	4	54
125	60	20	16	120	140	G1/2"	90	40	110	90	70	10.5	60	231	40	89	160	25	M12	22	62	110	6	71
160	65	24	18	150	185	G3/4"	100	50	140	110	80	10.5	70	253	40	98	180	32	M16	30	90	140	6	73
200	75	24	25	200	235	G3/4"	182	50	182	150	150	13	80	265	45	111.5	180	32	M16	30	120	175	6	85

**Mounting accessories**



Mounting accessories	... see page
20 Flange mounting	... 4-5
22 Foot mounting for front cap	... 4-6
23 Foot mounting	... 4-5
24 Boxer flange mounting	... 4-6
30 Swivel flange	... 4-7
31 Clevis foot mounting	... 4-7
32 Swivel flange with spherical bearing	... 4-8
33 Swivel flange	... 4-8
34 Narrow swivel flange	... 4-9
35 Rectangular swivel flange	... 4-9
40 Trunnion mounting	... 4-10
41 Pivot pin*	... 4-11
42 Pivot pin to front/end cap	... 4-13
80 Valve bracket	... 4-13
90 Prox. switch	... 3-2, 3-4, 3-7

\*) Type of pivot pin should be selected accordingly to the cylinder profile/tube - with cutout for profile or for round tube.