

# DOUBLE ACTING PNEUMATIC CYLINDERS ANTI-CORROSIVE - HYGIENIC CLEAN



**STRÁNSKÝ A PETRŽÍK**



Anti-corrosive cylinders are designed for use in area, where the hygienic clean is required (food processing or packing industry) or in aggressive chemical environment. The profile of the cylinder is smooth, to prevent dirt deposition. Fully adjustable cushioning at end of stroke is available as well as magnetic piston. Anti-corrosive cylinders are produced in several versions, for example: with thread on the front cap and with mounting holes on end cap, or with integrated swivel eye on end cap, and more. For using in food processing industry please choose appropriate option or contact our technical dept.

Working pressure	0,6 MPa
Min. pressure	0,15 MPa
Max. pressure	1,0 MPa
Temp. range	-20°C to +80°C *
Working medium	modified compressed air

\*) values are valid for standard gaskets

Piston diameter [mm]	32	40	50	63	80	100
Thrust at 0.6 MPa [N]	482	754	1178	1870	3015	4713
Return force at 0.6 MPa [N]	415	633	990	1682	2720	4418
Connection	G1/8"	G1/4"	G1/4"	G3/8"	G3/8"	G3/8"
Length of adjustable cushioning [mm]	12	13	15	15	18	18
Max. stroke [mm] *	800*	800*	1000*	1000*	1000*	1200*
Weight 0 mm stroke of type 17101 (standard / double-ended piston rod) [kg]	0.66 / 0.72	1.13 / 1.34	1.70 / 1.94	2.97 / 3.00	5.14 / 5.66	8.04 / 8.51
Weight 0 mm stroke of type 17201 (standard) [kg]	0.77	1.29	2.05	3.77	6.43	10.73
Weight 0 mm stroke of type 17301 (standard / double-ended piston rod) [kg]	0.73 / 0.84	1.23 / 1.51	1.93 / 2.41	3.47 / 4.06	6.11 / 7.48	9.63 / 11.7
Weight 0 mm stroke of type 17401 (standard / double-ended piston rod) [kg]	0.73 / 0.84	1.23 / 1.51	1.93 / 2.41	3.47 / 4.06	6.11 / 7.48	9.63 / 11.7
Weight 0 mm stroke of type 17501 (standard / double-ended piston rod) [kg]	0.71 / 0.83	1.20 / 1.50	1.89 / 2.34	3.42 / 3.97	5.95 / 7.34	9.54 / 11.5
Weight 0 mm stroke of type 17601 (standard) [kg]	0.71	1.2	1.89	3.42	5.95	9.54
Weight 0 mm stroke of type 17701 (standard) [kg]	0.66	1.13	1.70	2.93	5.09	7.99
Weight add. per 1 mm stroke (all types, standard) [kg]	0.0025	0.0035	0.0050	0.0064	0.0098	0.0113
Weight add. per 1 mm stroke (all types, double-ended piston rod) [kg]	0.0035	0.0052	0.0075	0.0090	0.0138	0.0153

\*) Stroke of cylinder may be longer after agreement with our technical dept.

## Order codes

**17101 60 00 050 0100**

Type	
17101	with thread on front cap
17201	with integrated swivel eye
17301	with pins for trunnion mounting on front cap
17401	with pins for trunnion mounting on end cap
17501*	with threads for accessory mounting on front cap
17601	with threads for accessory mounting on end cap
17701	with thread on front cap and threads for accessory mounting on end cap

Equipment	
50	with cushioning, without magnet
55*	with double-ended piston rod with cushioning, without magnet
60	with cushioning, with magnet
65*	with double-ended piston rod with cushioning, with magnet

\*) Not for type 17201, 17601 and 17701

Options	
00	without options
10	Viton® piston rod sealing
11	Viton® gaskets (up to 180°C)
31	for food processing industry (piston rod sealing from TPU and special grease)

For more options regarding materials or dimensions, please contact our technical dept.

Piston diameter	
032	32 mm
040	40 mm
050	50 mm
063	63 mm
080	80 mm
100	100 mm

Stroke / Repair kit	
xxxx	mm of stroke e.g.: 0100 = stroke 100 mm
9999	repair kit

## Construction / materials

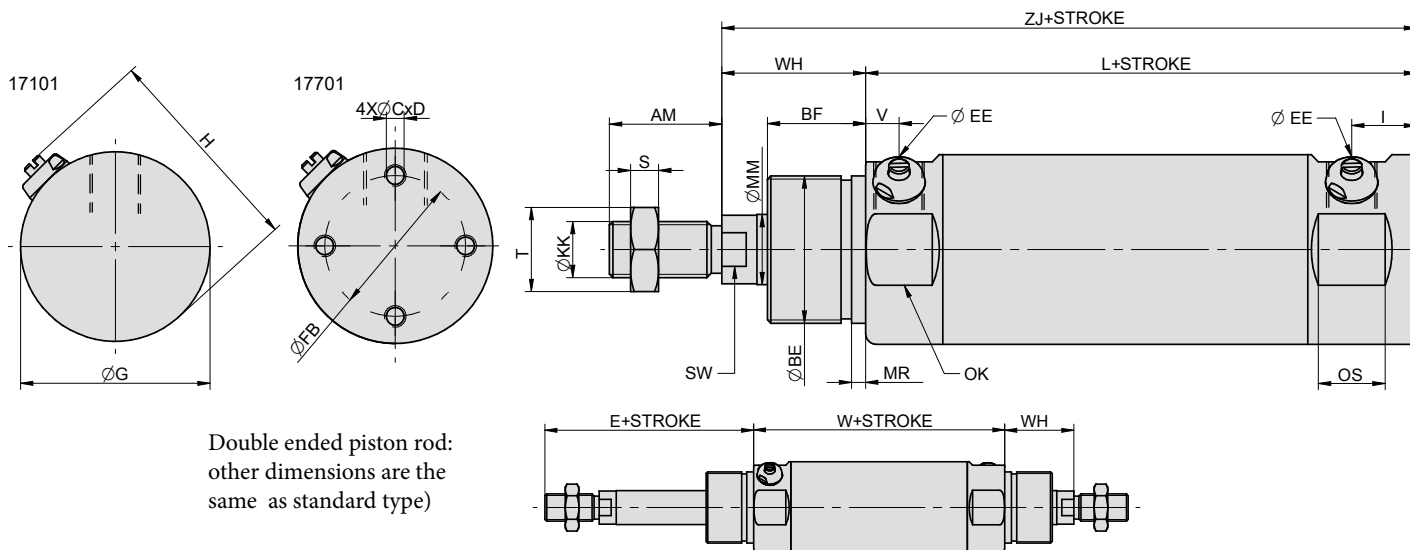
- caps: stainless steel 1.4571 (AISI 316)
- body: drawn stainless steel 1.4301 tube
- piston rod: stainless steel 1.4571 (AISI 316)
- sealing: NBR, wiping ring Viton®



Anti-corrosive cylinders according to VDMA 24562 - see page 1-4, option 05

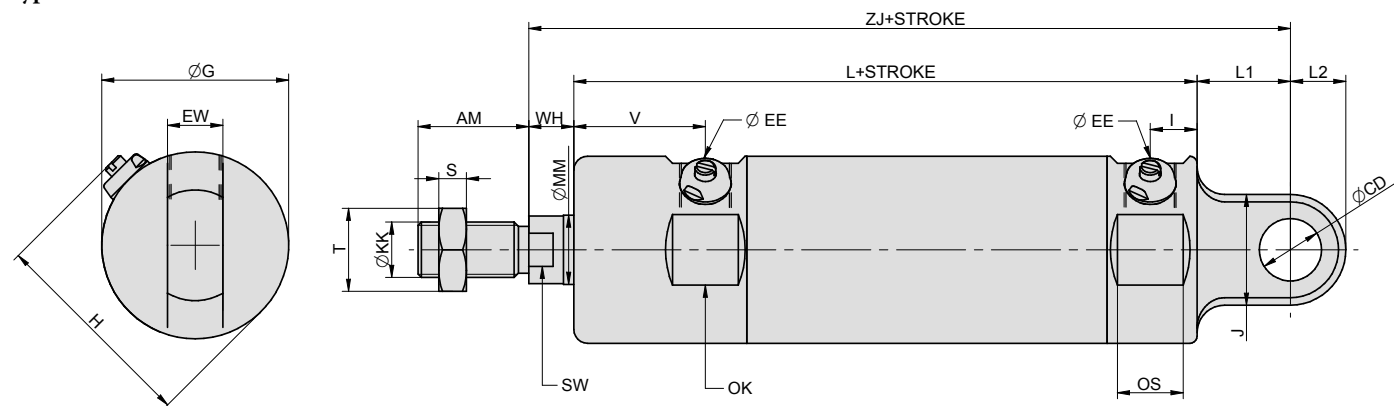
**Dimensions**

Types 17101 and 17701:



Ø	AM	BE	BF	C	D	E	EE	FB	G	H	I	KK	L	MM	MR	OK	OS	S	SW	T	V	W	WH	ZJ
32	22	M30x1.5	22	M5	7	53	G1/8"	25	36	45	17.5	M10x1.25	92.5	12	2	33	16.5	5	10	17	10	84.5	31	123.5
40	24	M35x1.5	25	M6	8	58	G1/4"	30	44	53	18	M12x1.25	107	16	2	40	20	6	13	19	14	102.5	34	141
50	32	M42x1.5	28	M6	8	73	G1/4"	39	54	64	18.5	M16x1.5	107	20	2	50	19	8	17	24	10	98	41	148
63	32	M42x1.5	28	M8	8	73	G3/8"	49	68	78	23	M16x1.5	123	20	2	64	24	8	17	24	12	110	41	164
80	40	M50x2	28	M10	8.5	83.5	G3/8"	64	86	96	22	M20x1.5	136	25	2	82	24	10	21	30	18	135	43.5	179.5
100	40	M50x2	28	M10	10	84	G3/8"	82	106	116	24	M20x1.5	145	25	2	102	26	10	21	30	15	142	44	189

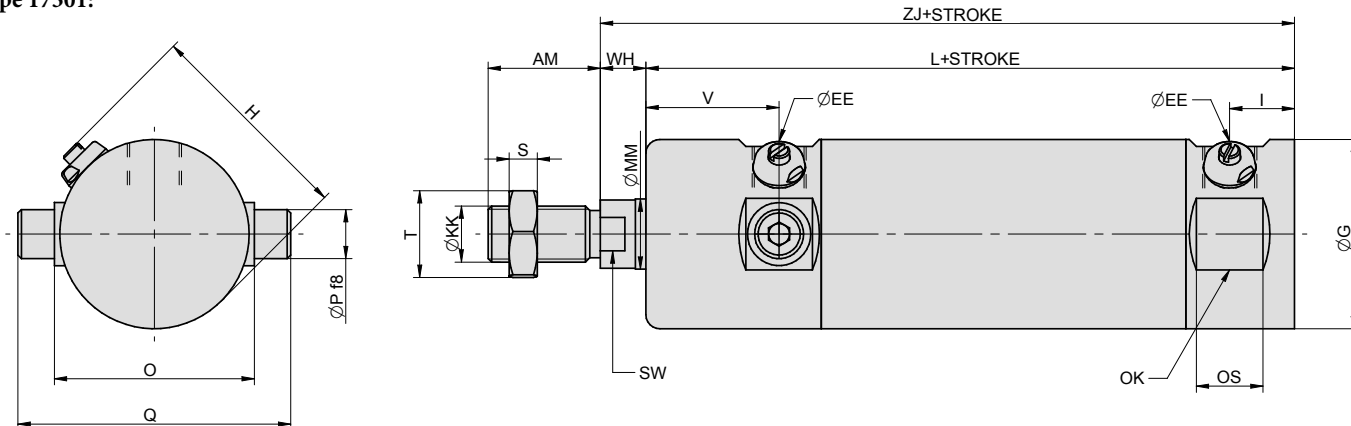
Type 17201:



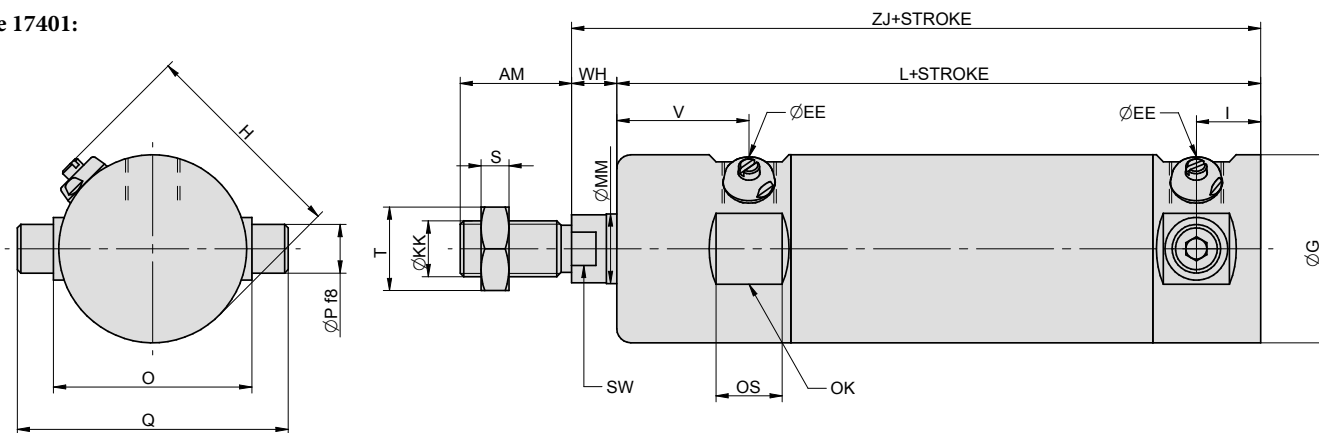
Ø	AM	CD	EE	EW	G	H	I	J	KK	L	L1	L2	MM	OK	OS	S	SW	T	V	WH	ZJ
32	22	10	G1/8"	10	36	45	12	20	M10x1.25	109	24	10	12	33	16.5	5	10	17	32	9	142
40	24	12	G1/4"	12	44	53	14	24	M12x1.25	127	24	12	16	40	20	6	13	19	39	9	160
50	32	16	G1/4"	16	54	64	13.5	32	M16x1.5	130	27	16	20	50	19	8	17	24	38	13	170
63	32	16	G3/8"	16	68	78	22	32	M16x1.5	150	27	16	20	64	24	8	17	24	40	13	190
80	40	20	G3/8"	20	86	96	16.5	40	M20x1.5	158.5	36	20	25	82	24	10	21	30	46	15.5	210
100	40	20	G3/8"	20	106	116	27	40	M20x1.5	178	36	20	25	102	26	10	21	30	46	16	230

# DOUBLE ACTING PNEUMATIC CYLINDERS ANTI-CORROSIVE - HYGIENIC CLEAN

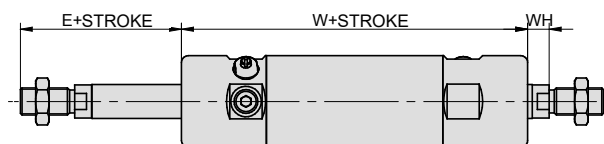
Type 17301:



Type 17401:

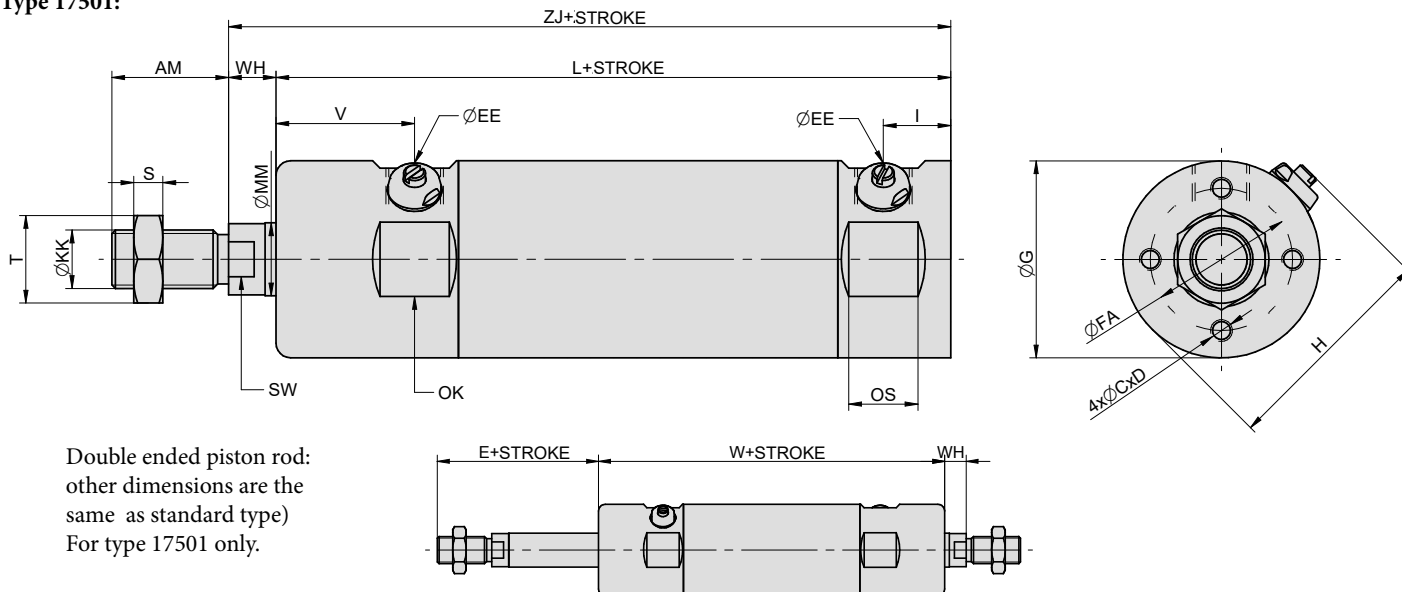


Double ended piston rod:  
other dimensions are the same as standard type)  
For both 17301 and 17401 types.

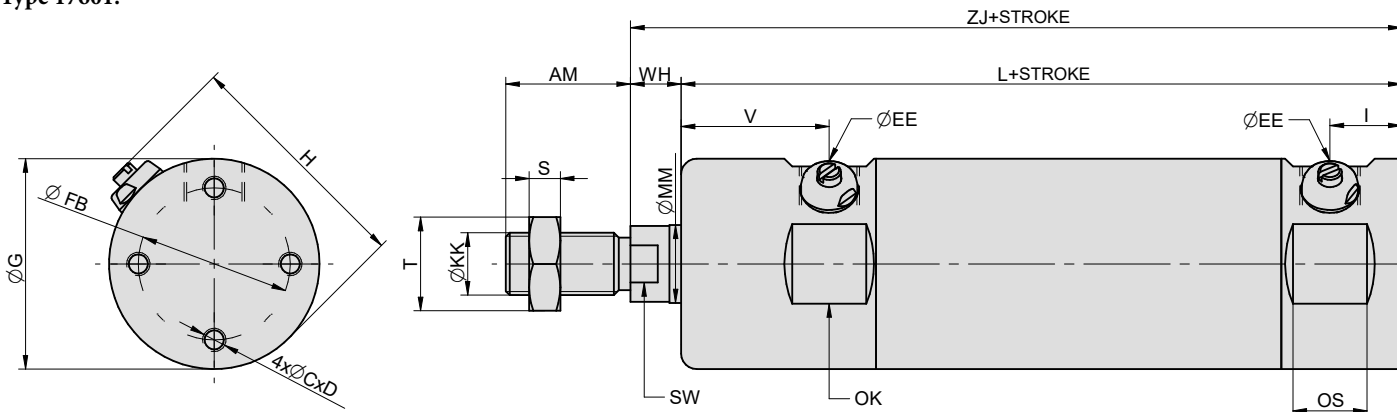


Ø	AM	E	EE	G	H	I	KK	L	MM	O	OK	OS	P	Q	S	SW	T	V	W	WH	ZJ
32	22	31	G1/8"	36	45	17.5	M10x1.25	114.5	12	38	33	16.5	10	52.8	5	10	17	32	128.5	9	123.5
40	24	33	G1/4"	44	53	18	M12x1.25	132	16	46	40	20	12	63.8	6	13	19	39	152.5	9	141
50	32	45	G1/4"	54	64	18.5	M16x1.5	135	20	57	50	19	14	77.8	8	17	24	38	154	13	148
63	32	45	G3/8"	68	78	23	M16x1.5	151	20	70	64	24	16	93	8	17	24	40	166	13	164
80	40	55.5	G3/8"	86	96	22	M20x1.5	164	25	88	82	24	18	120	10	21	30	46	191	15.5	179.5
100	40	56	G3/8"	106	116	24	M20x1.5	173	25	109	102	26	20	147	10	21	30	46	198	16	189

**Type 17501:**

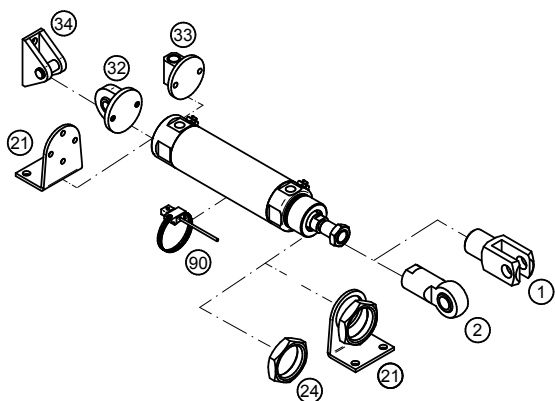


**Type 17601:**



Ø	AM	C	D	E	FA	FB	EE	G	H	I	KK	L	MM	OK	OS	S	SW	T	V	W	WH	ZJ
32	22	M5	7	31	—	25	G1/8 <sup>cc</sup>	36	45	17.5	M10x1.25	114.5	12	33	16.5	5	10	17	32	128.5	9	123.5
40	24	M6	8	33	—	30	G1/4 <sup>cc</sup>	44	53	18	M12x1.25	132	16	40	20	6	13	19	39	152.5	9	141
50	32	M6	8	45	39	39	G1/4 <sup>cc</sup>	54	64	18.5	M16x1.5	135	20	50	19	8	17	24	38	154	13	148
63	32	M8	8	45	49	49	G3/8 <sup>cc</sup>	68	78	23	M16x1.5	151	20	64	24	8	17	24	40	166	13	164
80	40	M10	8.5	55.5	64	64	G3/8 <sup>cc</sup>	86	96	22	M20x1.5	164	25	82	24	10	21	30	46	191	15.5	179.5
100	40	M10	10	56	82	82	G3/8 <sup>cc</sup>	106	116	24	M20x1.5	173	25	102	26	10	21	30	46	198	16	189

**Mounting accessories  
(stainless steel)**



Mounting accessories	... see page
1 Piston rod clevis	... 4-27
2 Piston rod eye	... 4-27
21 Foot mounting	... 4-27
24 Front/end cap nut	... 4-28
32 Swivel flange with spherical bearing	... 4-28
33 Swivel flange	... 4-29
34 Narrow swivel flange	... 4-29
90 Prox. switch	... 3-2, 3-4