

DOUBLE ACTING PNEUMATIC CYLINDERS SERIES PDSW



STRÁNSKÝ A PETRŽÍK

1



This series of cylinders with fully adjustable cushioning at both ends and with magnetic piston for proximity switches, is direct replacement for cylinders of DSW series of other producers.

Working pressure	0,6 MPa
Min. pressure	0,15 MPa
Max. pressure	1,0 MPa
Temp. range	-20°C to +80°C *
Working medium	modified compressed air

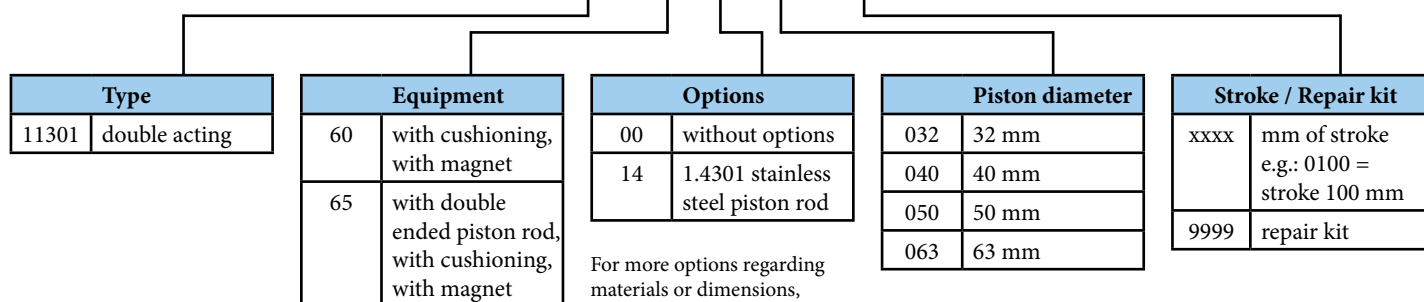
*) values are valid for standard gaskets

Piston diameter [mm]	32	40	50	63
Thrust at 0.6 MPa [N]	482	754	1178	1870
Thrust at 0.6 MPa [N] with double ended piston rod	415	633	990	1682
Return force at 0.6 MPa [N]	415	633	990	1682
Connection	G1/8"	G1/4"	G1/4"	G3/8"
Length of adjustable cushioning [mm]	13	14	11	16
Max. stroke [mm] *	1000*	1000*	1000*	1000*
Weight 0 mm stroke [kg]	0.43	0.90	1.10	1.70
Weight add. per 1 mm stroke [kg]	0.0015	0.002	0.002	0.004
Weight 0 mm stroke [kg] with double ended piston rod	0.56	1.23	1.33	1.80
Weight add. per 1 mm stroke [kg] with dbl. ended piston rod	0.0024	0.004	0.004	0.0065

*) Stroke of cylinder may be longer after agreement with our technical dept.

Order codes

11301 60 00 050 0100

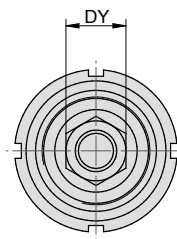
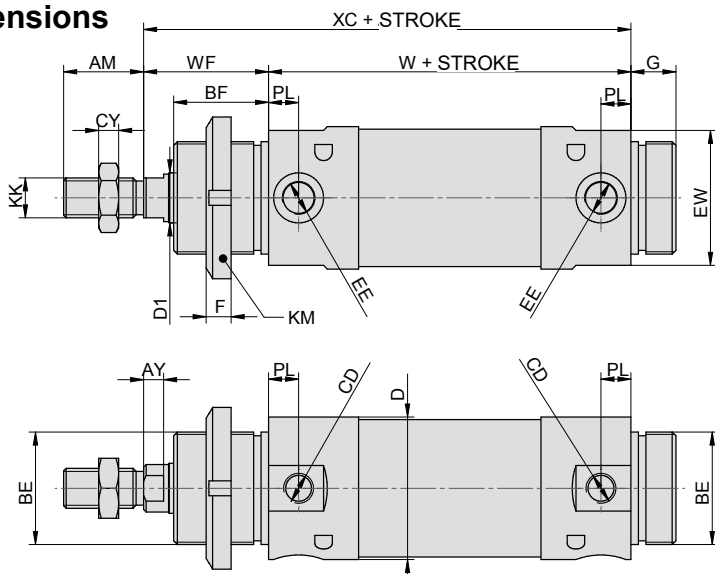


For more options regarding materials or dimensions, please contact our technical dept.

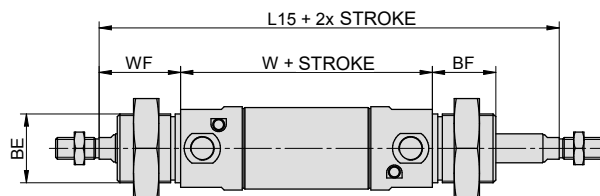
Construction / materials

- caps: anodized dural
- body: drawn dural tube, anodized
- piston rod: grounded round steel bar CK45 with hard chrome plated surface

Dimensions

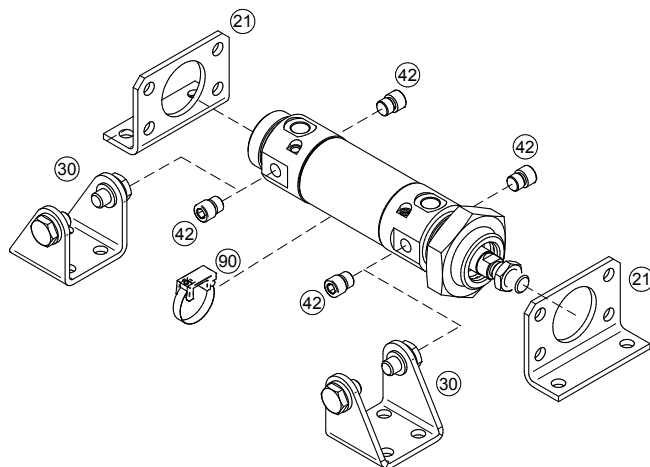


Double ended piston rod:
(other dimensions are the same as standard type)



∅	AM	AY	BE	BF	BY	CD	CY	D	DY	D1	EE	EW	F	G	KK	KM	L15	PL	W	WF	XC	Y
32	20	4	M30x1.5	30	10	M8x1	5	38	16	12	G1/8"	35	7	14	M10	6	172	9	96	38	134	47
40	24	6.5	M38x1.5	35	12	M10x1	6	46	18	16	G1/4"	43	14	16	M12	M38x1.5	204	12	113	45	158	57
50	32	8	M45x1.5	38	16	M12x1.5	8	57	24	20	G1/4"	54	10	18	M16	9	220	12	120	50	170	62
63	32	8	M45x1.5	38	16	M14x1.5	8	70	24	20	G3/8"	67	10	18	M16	9	224	13	124	50	174	63

Mounting accessories



Mounting accessories	... see page
21 Foot mounting	... 4-26
30 Swivel flange	... 4-26
42 Socket screw	... 4-26
90 Proximity switch	... 3-2, 3-4