

DOUBLE ACTING PNEUMATIC CYLINDERS DIN ISO 6432 SERIES MCMIS STAINLESS STEEL



STRÁNSKÝ A PETRŽÍK

Cylinders are designed to meet the specifications of international standard ISO 6432. The cylinders are equipped with cushion pads or, from a piston diameter of 20 mm, they can have adjustable end position cushioning. The cylinders are equipped with a magnetic piston as standard for contactless position sensing.



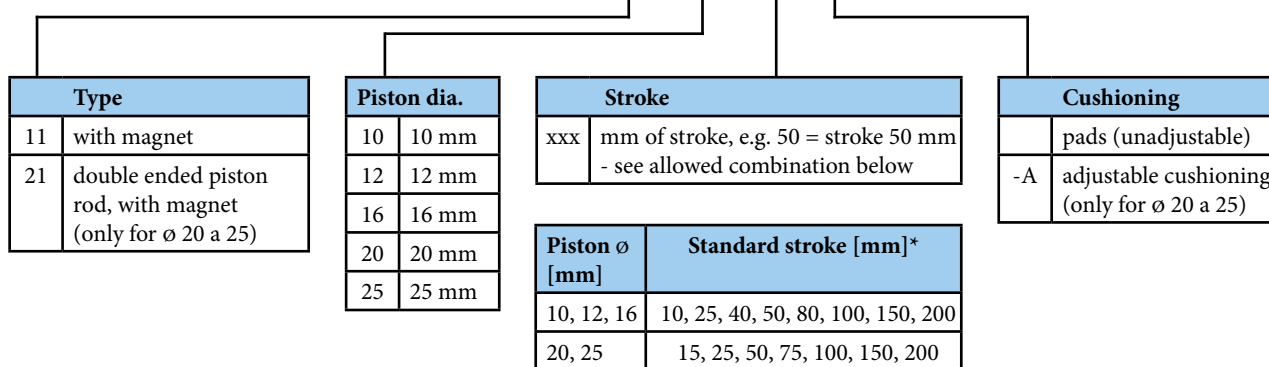
Working pressure	0,6 MPa
Min. pressure	0,1 MPa
Max. pressure	1,0 MPa
Temp. range	-35°C to +80°C *
Working medium	modified compressed air

*) values are valid for standard gaskets

Piston diameter [mm]	10	12	16	20	25
Thrust at 0,6 MPa [N]	42	61	109	170	265
Thrust at 0,6 MPa [N] with double ended piston rod	35	45	90	143	223
Return force at 0,6 MPa [N]	35	45	90	143	223
Connection	M5	M5	M5	G1/8"	G1/8"
Length of adjustable cushioning [mm]	-	-	-	18	21
Working speed [mm/s]	50 to 500				
Max. stroke [mm]	300	300	500	500	500
Weight 0 mm stroke [kg]	0,07	0,12	0,15	0,31	0,41
Weight add. per 1 mm stroke [kg]	0,0003	0,0004	0,0005	0,0008	0,0011
Weight 0 mm stroke [kg] with double ended piston rod	-	-	-	0,34	0,45
Weight add. per 1 mm stroke [kg] with dbl. ended piston rod	-	-	-	0,0015	0,0021

Order codes

P MCMIS - 11 - 16 - 50 -A



*) Other strokes are possible, please contact our technical department.

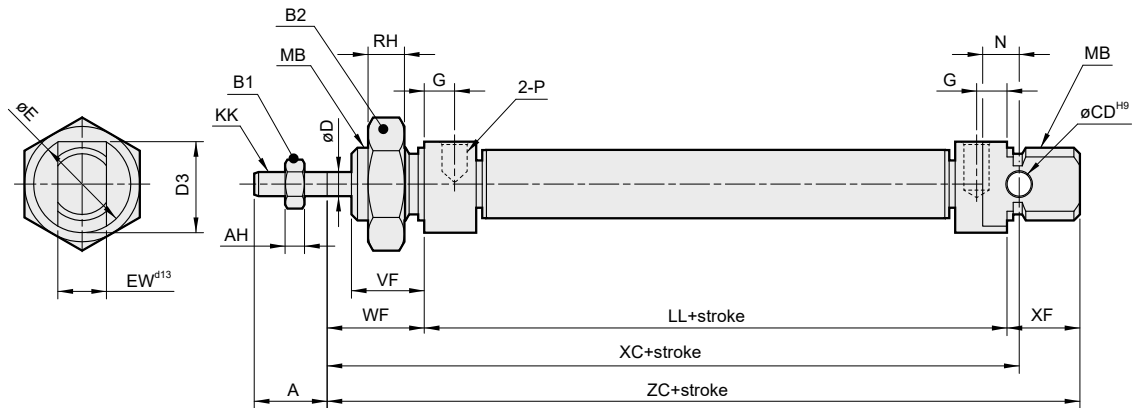


In case of proximity sensing request, please contact our technical department.

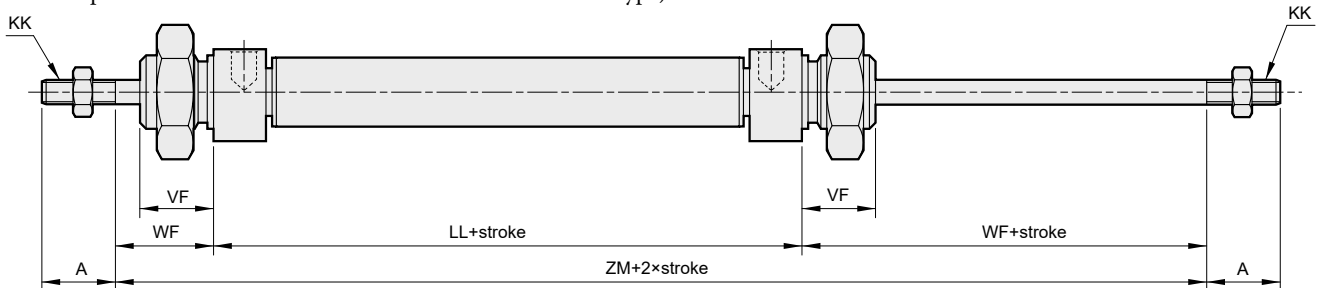
Construction / materials

- caps, tube, piston rod, needle valve, nuts: stainless steel SUS304
- piston: brass
- sealings: PU and NBR
- cushion axis: Al alloy
- bushing: copper alloy

Dimensions

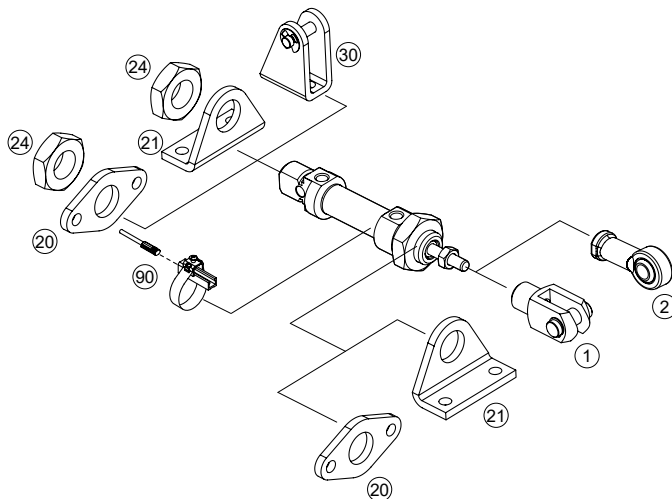


Double ended piston rod: other dimensions are the same as standard type)



∅	A	AH	B1	B2	CD	D	D3	E	EW	G	KK	LL	MB	N	ND	P	RH	VF	WF	XC	XF	ZC	ZM
10	12	3,2	7	16	4	4	15	16	8	5	M4	46	M12x1,25	6	12	M5	6	12	16	64	12	74	-
12	16	4	10	22	6	6	18	19	12	5	M6	48	M16x1,5	9	16	M5	6	17	22	75	18	88	-
16	16	4	10	22	6	6	18	19	12	4,5	M6	53	M16x1,5	9	16	M5	6	18	22	82	18	93	-
20	20	5	13	27	8	8	25,5	27	16	8	M8	67	M22x1,5	12	22	G1/8"	6	20	24	95	20	111	115
25	22	6	17	27	8	10	28,5	30	16	8	M10x1,25	68	M22x1,5	12	22	G1/8"	6	22	28	104	22	118	124

Mounting accessories (stainless steel)



Mounting accessories ... see page	
1	Piston rod clevis ... 4-23
2	Piston rod eye ... 4-24
20	Flange mounting ... 4-24
21	Foot mounting ... 4-25
24	Front/end cap nut ... 4-25
30	Swivel flange ... 4-25
90	Prox. switch