

DOUBLE ACTING PNEUMATIC CYLINDERS DIN ISO 6432 WITH PRESSED-IN TUBE



Cylinders are designed to meet the specifications of international standard ISO 6432. The cylinders can work in higher temperatures by request. Fully adjustable cushioning at end of stroke is available for diameters 20 and 25 mm, diameters 16 mm and less are without cushioning at the end of stroke. Cylinders with pressed-in tube can't be disassembled.



Working pressure	0,6 MPa
Min. pressure	0,15 MPa
Max. pressure	1,0 MPa
Temp. range	-20°C to +80°C *
Working medium	modified compressed air

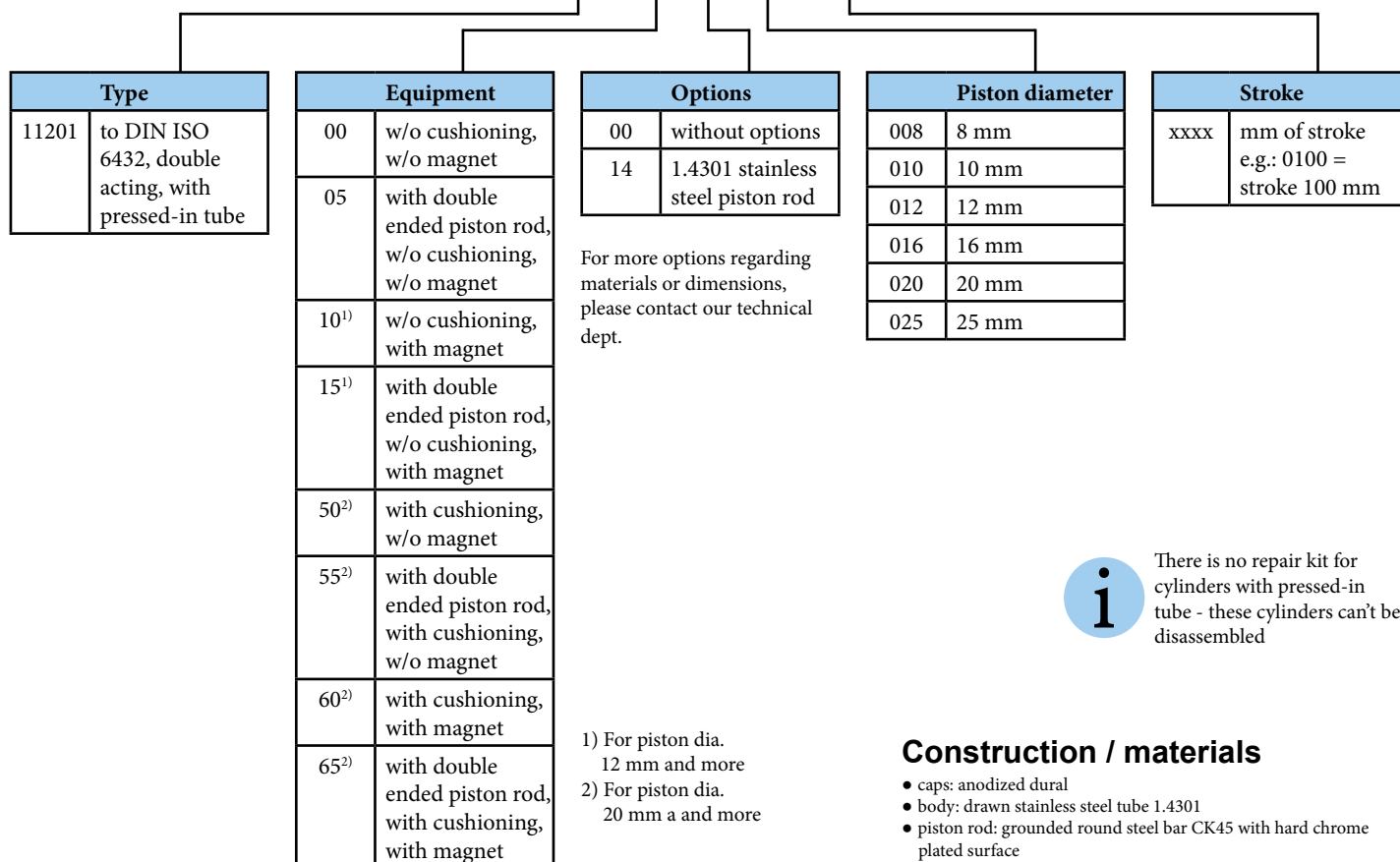
*) values are valid for standard gaskets

Piston diameter [mm]	8	10	12	16	20	25
Thrust at 0.6 MPa [N]	30	47	66	121	188	295
Thrust at 0.6 MPa [N] with double ended piston rod	22	39	50	102	158	248
Return force at 0.6 MPa [N]	22	39	50	102	158	248
Connection	M5	M5	M5	M5	G1/8"	G1/8"
Length of adjustable cushioning [mm]	—	—	—	—	11	9
Max. stroke [mm] *	200*	200*	300*	300*	300*	500*
Weight 0 mm stroke [kg]	0.04	0.04	0.06	0.07	0.17	0.22
Weight add. per 1 mm stroke [kg]	0.0006	0.0006	0.0005	0.0008	0.0010	0.0013
Weight 0 mm stroke [kg] with double ended piston rod	0.04	0.04	0.06	0.07	0.20	0.30
Weight add. per 1 mm stroke [kg] with double ended piston rod	0.0006	0.0006	0.0006	0.0009	0.0014	0.0020

*) Stroke of cylinder may be longer after agreement with our technical dept.

Order codes

11201 60 00 020 0100

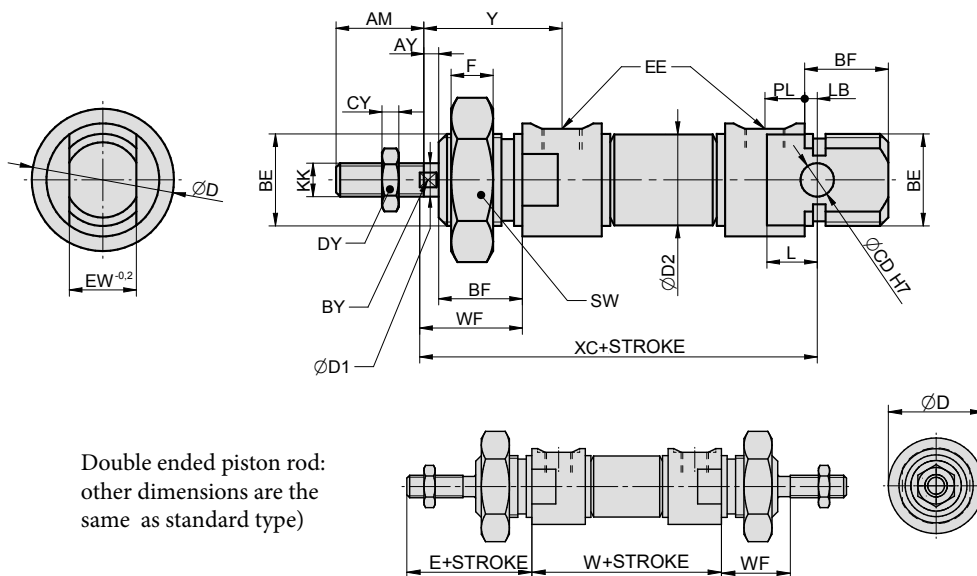


There is no repair kit for cylinders with pressed-in tube - these cylinders can't be disassembled

Construction / materials

- caps: anodized dural
- body: drawn stainless steel tube 1.4301
- piston rod: grounded round steel bar CK45 with hard chrome plated surface

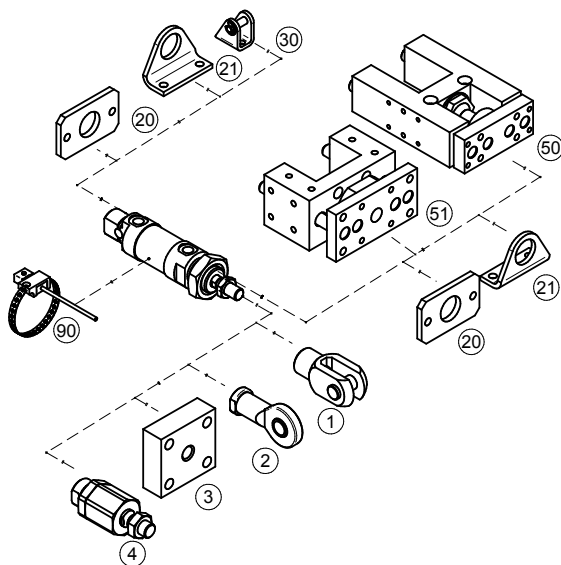
Dimensions



Double ended piston rod:
other dimensions are the same as standard type)

Ø	AM	AY	BE	BF	BY	CD	CY	D	D1	D2	DY	E	EE	EW	F	KK	L	LB	PL	SW	WF	XC	Y	W
8	12	3	M12x1.25	12	3	4	3	15	4	9.3	7	28	M5	8	7	M4	9	3	5	18	16	64	21	45
10	12	3	M12x1.25	12	3	4	3	15	4	11.3	7	28	M5	8	7	M4	9	3	5	18	16	64	21	45
12	16	3	M16x1.5	15	5	6	3	19	6	13.3	10	36	M5	12	8	M6	10	4	5	24	20	75	25	45
16	16	3	M16x1.5	15	5	6	3	20	6	17.3	10	36	M5	12	8	M6	11	5	5	24	20	82	25	50
20	20	4	M22x1.5	20	7	8	6	27	8	21.3	13	44.5	G1/8"	16	10	M8	12	3	9.5	34	24.5	95	34	67.5
25	22	4	M22x1.5	20	9	8	6	32	10	26.5	17	47	G1/8"	16	10	M10x1.25	12	4	10	34	25.5	104	35	75

Mounting accessories



Mounting accessories	... see page
1 Piston rod clevis	... 4-2
2 Piston rod eye	... 4-3
3 Flanged piston rod coupling	... 4-2
4 Self-aligning piston rod coupling	... 4-3
20 Flange mounting	... 4-21
21 Foot mounting	... 4-21
30 Swivel flange	... 4-21
50 Guide unit H with ball bearings	... 4-22
51 Guide unit with slide bearings	... 4-23
90 Prox. switch	... 3-2, 3-4