

DOUBLE ACTING PNEUMATIC CYLINDERS CNOMO 06.07.02



STRÁNSKÝ A PETRŽÍK

Cylinders are designed to meet the specifications of international standard CETOP. Fully adjustable cushioning at end of stroke and magnetic piston for proximity sensing are available. Another materials of components and seals are available on request.

We recommend to use cylinders to ISO 15552 and VDMA 24562 for new designs.



Working pressure	0,6 MPa
Min. pressure	0,15 MPa
Max. pressure	1,0 MPa
Temp. range	-20°C to +80°C *
Working medium	modified compressed air

*) values are valid for standard gaskets

Piston diameter [mm]	25	32	40	50	63	80	100	125	160	200
Thrust at 0.6 MPa [N]	295	482	754	1178	1870	3015	4713	7363	12064	18849
Thrust at 0.6 MPa [N] with double ended piston rod	226	415	633	990	1682	2720	4418	6880	11581	18096
Return force at 0.6 MPa [N]	226	415	633	990	1682	2720	4418	6880	11581	18096
Connection	G1/8"	G1/8"	G1/4"	G1/4"	G3/8"	G3/8"	G1/2"	G1/2"	G3/4"	G3/4"
Length of adjustable cushioning [mm]	9	12	11	11	16	9	16	15	20	20
Max. stroke [mm] *	500*	1000*	1000*	1000*	1000*	1500*	1500*	2000*	2000*	2000*
Weight 0 mm stroke [kg]	0,42	0,44	0,91	1,36	2,07	3,25	5,10	7,70	16,50	23,10
Weight add. per 1 mm stroke [kg]	0,003	0,003	0,004	0,005	0,006	0,007	0,012	0,013	0,023	0,027
Weight 0 mm stroke [kg] with double ended piston rod	0,48	0,55	1,03	1,77	2,74	4,31	6,65	10,80	19,79	27,33
Weight add. per 1 mm stroke [kg] with double ended piston rod	0,004	0,004	0,006	0,007	0,009	0,010	0,017	0,018	0,033	0,037

*) Stroke of cylinder may be longer after agreement with our technical dept.

Order codes

11401 60 00 050 0100

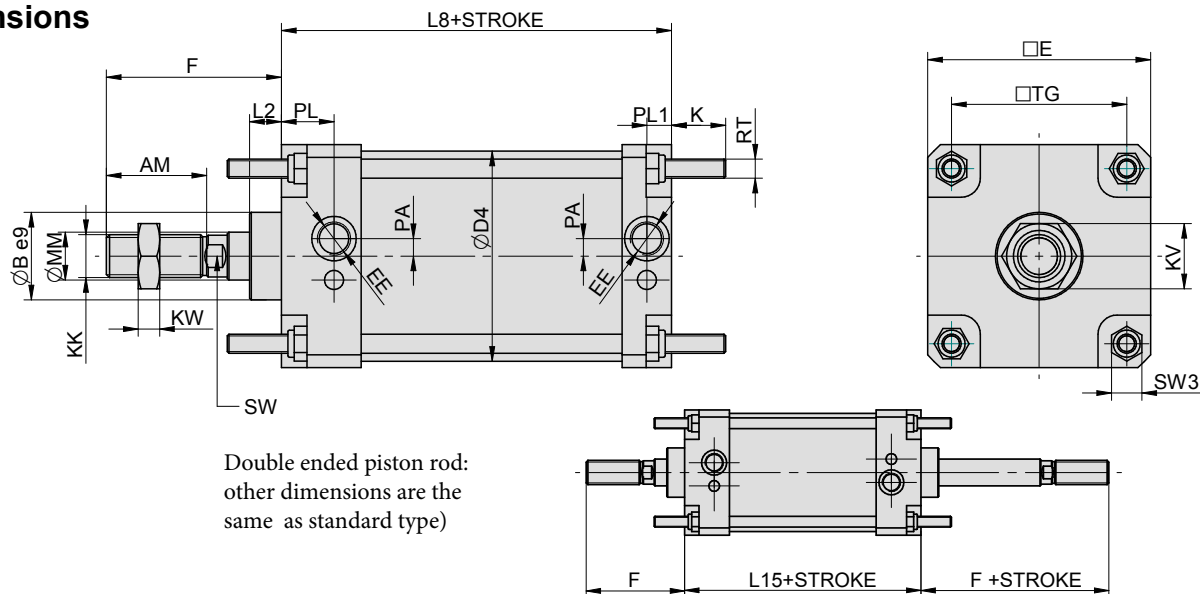
Type		Equipment		Options		Piston diameter		Stroke / Repair kit	
11401	CNOMO 06.07.02, double acting	00	w/o cushioning, w/o magnet	00	without options	025	25 mm	xxxx	mm of stroke e.g.: 0100 = stroke 100 mm
		05	with double ended piston rod, w/o cushioning, w/o magnet	10	Viton® piston rod sealing	032	32 mm	9999	repair kit
		10	w/o cushioning, with magnet	11	Viton® gaskets (up to 180°C)	040	40 mm		
		15	with double ended piston rod, w/o cushioning, with magnet	14	1.4301 stainless steel piston rod	050	50 mm		
		50	with cushioning, w/o magnet	16	steel parts from stainless 1.4301 piston rod stain- less 1.4401	063	63 mm		
		55	with double ended piston rod, with cushioning, w/o magnet	37	composite round tube+opt. 10 and 16	080	80 mm		
		60	with cushioning, with magnet	39	round steel tube	100	100 mm		
		65	with double ended piston rod, with cushioning, with magnet			125	125 mm		
						160	160 mm		
						200	200 mm		

For more options regarding materials or dimensions, please contact our technical dept.

Construction / materials

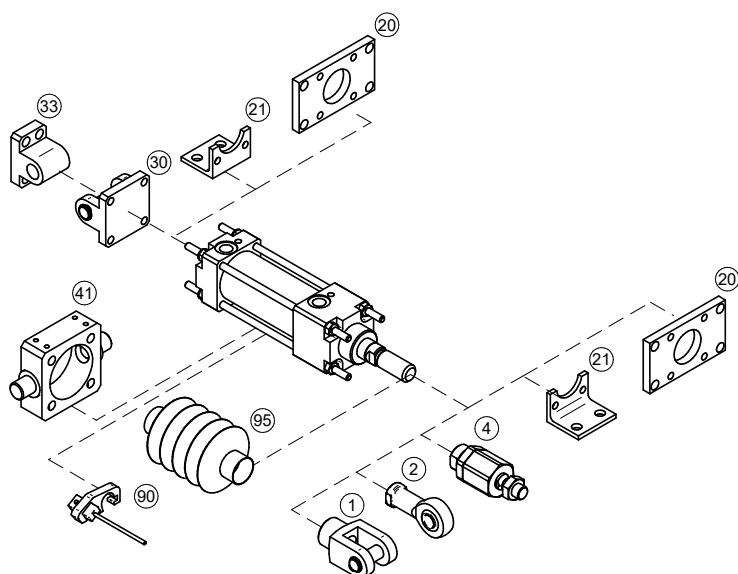
- caps: drawn aluminium alloy profile
- body: drawn dural tube, anodized
- piston rod: grounded round steel bar CK45 with hard chrome plated surface

Dimensions



Ø	AM	B	D4	E	EE	F	K	KK	KV	KW	L2	L8	L15	MM	PA	PL	PL1	RT	SW	SW3	TG
25	20	25	30	40	G1/8"	45	17	M10	10	5	15	105	115	12	3,5	14	14	M6	10	10	28
32	20	25	36	45	G1/8"	45	17	M10	16	5	15	80	90	12	2	21.5	11.5	M6	8	10	33
40	36	32	45	52	G1/4"	70	17	M16x1.5	24	8	15	110	129	18	5	34	15	M6	13	10	40
50	36	32	55	65	G1/4"	70	23	M16x1.5	24	8	15	110	129	18	3	33.5	14.5	M8	13	13	49
63	46	45	68	75	G3/8"	85	23	M20x1.5	30	10	20	125	146	22	10	34	13	M8	17	13	59
80	46	45	86	95	G3/8"	85	28	M20x1.5	30	10	20	125	146	22	10	34	13	M10	17	17	75
100	63	55	106	115	G1/2"	110	28	M27x2	41	13.5	20	145	164	30	11	31	15	M10	22	17	90
125	63	55	132	140	G1/2"	110	34	M27x2	41	13.5	20	145	164	30	11	33	15.5	M12	22	19	110
160	85	65	167	180	G3/4"	135	42	M36x2	50	18	25	180	200	40	11	37	20	M16	32	24	140
200	85	65	210	220	G3/4"	135	42	M36x2	50	18	25	180	200	40	11	37	20	M16	32	24	175

Mounting accessories



Mounting accessories	... see page
1 Piston rod clevis	... 4-18
2 Piston rod eye	... 4-3
4 Self-align. piston rod coupl.	... 4-3
20 Flange mounting	... 4-18
21 Foot mounting	... 4-19
30 Swivel flange	... 4-19
33 Swivel flange	... 4-20
41 Pivot pin	... 4-20
90 Prox. switch	... 3-2, 3-4
95 Piston rod protective cover	... 4-4