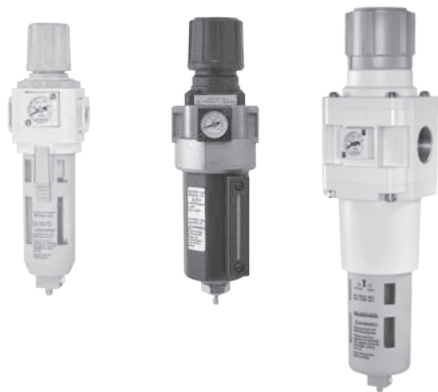
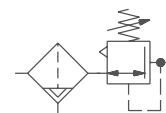


# PARTICULAR FILTER WITH REGULATOR SERIES MAFR302, MAFR401 AND MAFR501



The integral part of the particulate filter/regulator ('piggyback') is a two station component designed to filter and regulate compressed air when cost and space are of primary concern.

Series 401 has got metal bowl with sight glass and series 302 and 501 have got polycarbonate or nylon bowl with plastic guard or metal bowl.



Port size	MAFR302			MAFR401			MAFR501	
	G1/4"	G3/8"	G1/2"	G1/4"	G3/8"	G1/2"	G3/4"	G1"
Primary pressure [MPa]	0.05 to 0.99			0.1 to 1.5			0.1 to 1 (0.1 to 1.5)*	
Secondary pressure [MPa]	0.05 to 0.85			0.1 to 0.85			0.1 to 0.85	
Test pressure [MPa]	1.5			2.0			1.5 (2)*	
Filter element [µm]	5			5			40	
Temperature range [°C]	-5 to +60			-5 to +60			-5 to +60	
Weight [kg]	0.49			0.80			1.94 (2.06)*	
Supply contains	gauge (PPG-20)**, bracket (elbow)			gauge (PPG-20)**, bracket (elbow)			gauge (PPG-20)**, bracket (elbow)	

\*) Values in the brackets are valid for metal bowl for series 501.

\*\* Gauge PPG-40 can only be used with a threaded adapter, order code PA-MAR302 (for series 302 and 501) or order code PA-MAR401 (for series 401), see pg 8-21

## Order codes

PMAFR401-10A = 5u – BSP

Port size		Condensation draining	
401-8A	G1/4"	–	semiautomatic
401-10A	G3/8"	D	automatic
401-15A	G1/2"		

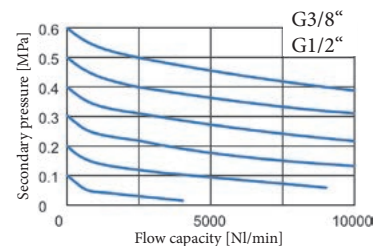
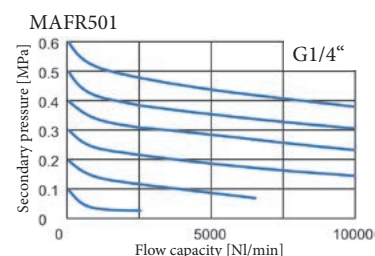
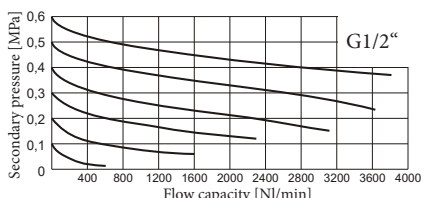
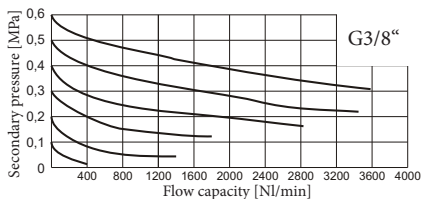
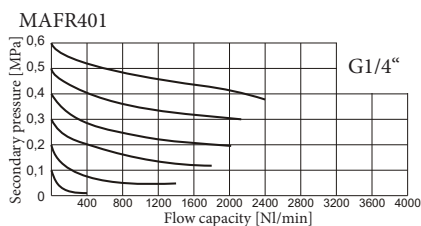
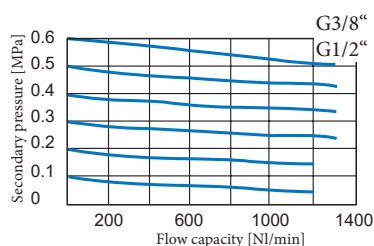
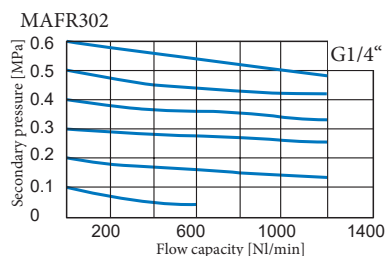
PMAFR501-20A M – BSP

Port size		Bowl	Condensation draining	
302-8A	G1/4"		–	semiautomatic
302-10A	G3/8"	N	D	automatic
302-15A	G1/2"	M		
501-20A	G3/4"			
501-25A	G1"			

**i** Semiautomatic condensation draining automatically drains when the primary pressure drops under 0.05 MPa.

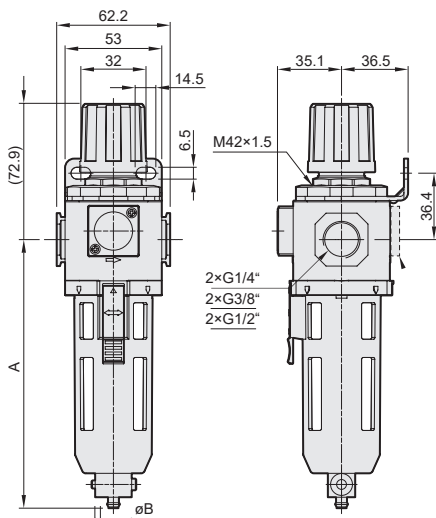
## Flow capacity

Flow rates at primary pressure 0.7 MPa



## Dimensions

MAFR302



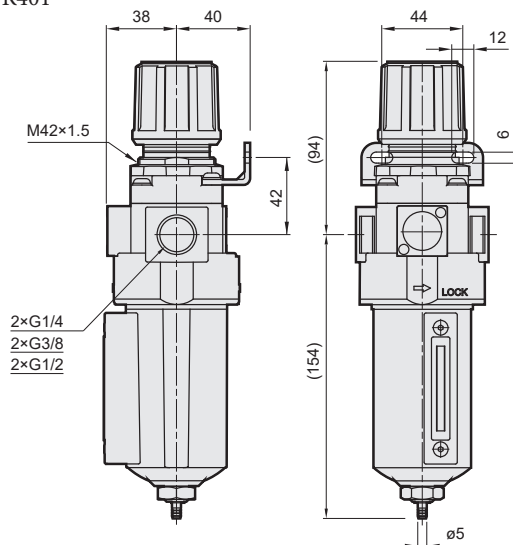
Semiautomatic condensation draining

Bowl	A	B
polycarbonate nylon	147.1	6
metal	147.2	5

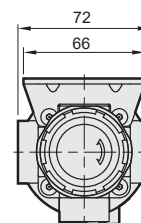
Automatic condensation draining

Bowl	A	B
polycarbonate nylon	156.6	8
metal	159.1	8

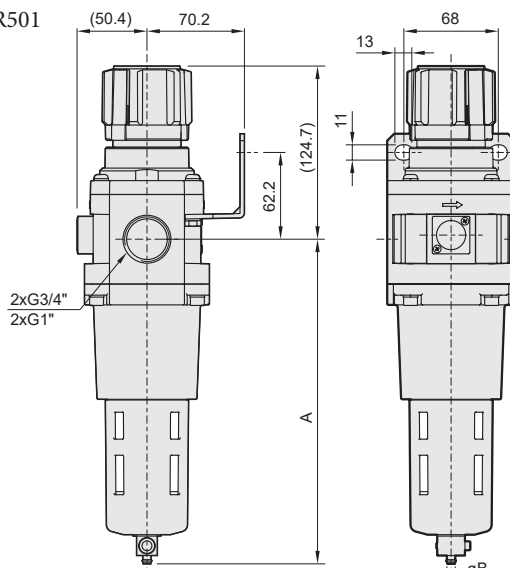
MAFR401



Dimensions are valid for the semiautomatic drain type.



MAFR501



Semiautomatic condensation draining

Bowl	A	B
polycarbonate nylon	233.8	6
metal	231.4	5

Automatic condensation draining

Bowl	A	B
polycarbonate nylon	242.9	8
metal	243.3	8

