

VALVE FOR SIGNAL START DELAY VALVE FOR LIMITING THE SIGNAL LENGTH

Valve for signal start delay

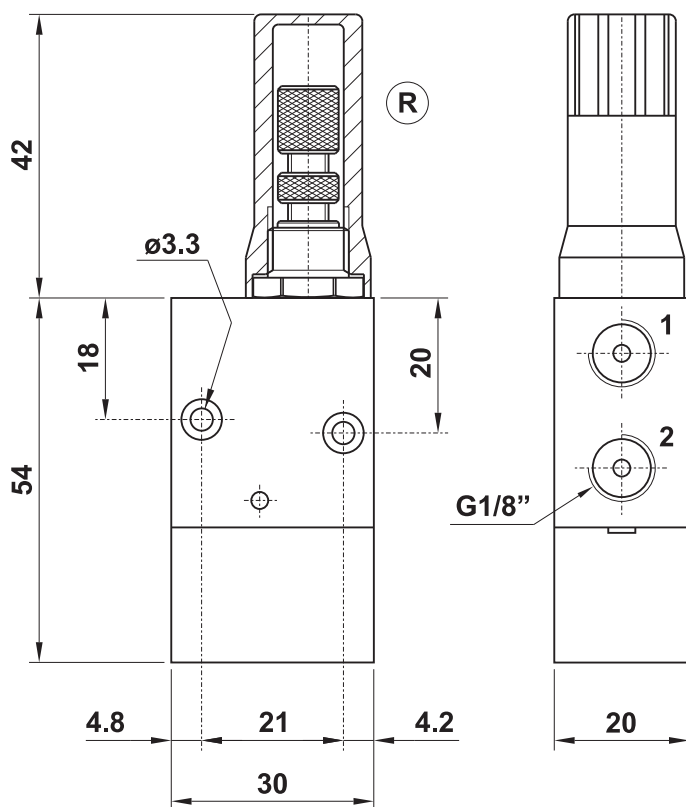
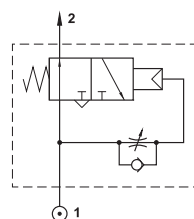
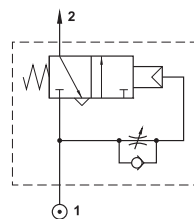
Order code	Delay range [s]	Thread	Weight [kg]
2532 7090 0400 0006	0 to 5	G1/8"	0.11

This device, if air is supplied at port 1, lets the air go out from port 2 when the adjustable dwell time (pre-set by screw R) has elapsed. The air flow can then be interrupted by removing the air supply from port 1. The difference from the normally open version (see below) is that the screw R adjusts the dwell time and not the duration of the air impulse.

Valve for limiting the signal length

Order code	Signal length range [s]	Thread	Weight [kg]
2532 7090 0400 0005	0 to 5	G1/8"	0.11

It is a device which produces an adjustable impulse of fixed duration by adjusting screw (R). When a signal is applied from a three way valve and maintained at port 1 the impulse generator is activated and will generate an impulse period which was pre-set by screw R. If the signal is interrupted the duration of the impulse is terminated. To repeat the cycle the pilot signal must be exhausted and applied again.



Working pressure	0.2 to 1.0 MPa
Temperature range	0°C to +60°C
Working medium	modified compressed air

Notice: dimensions are the same for both valves - valve for signal start delay and valve for shorten the signal length.