

MANUALLY ACTUATED VALVES SERIES MVMB AND MVMC FOR PANEL MOUNTING




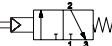

The new valve series, which replaces the old valve series for panel mounting with replaceable actuators. basic usable features are kept and brings some improvements such as bigger flow capacity, better accessibility and not least also better comfort during mounting and changing of actuators. Bigger actuators also brings the better user comfort during the actuating. The valves can be mounted into the panel with hole dia. 25 mm, or by using holes on the valve body. The big variability allows also changing of actuator anytime during operation - just turn off/on 2 screws on the side of valve and actuator is unlocked/locked.

This valve series contains rubber gaskets.

Series	MVMC 210	MVMB 220 3	MVMB 220 4
Ports	G1/8"	G1/4"	G1/4" (G1/8" for exhaust ports 3 and 5)
The way of actuation	direct	indirect (with pilot valve)	indirect (with pilot valve)
Actuating force at 0.6 MPa [N]	30	20	20
Flow capacity [Nl/min]	1050	1000	1000
Working pressure [MPa]	0 to 0.99	0.15 to 0.8	0.15 to 0.8
Weight [kg]	0.155	0.21	0.18
Temperature range [°C]	ambient temperature -5 to +60		

Order codes of valves

PMVM B2203

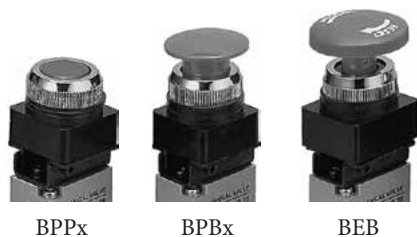
Function	
C2103	 Series MVMC, thread G1/8", 3/2 normally closed and opened
B2203	 Series MVMB, thread G1/4" 3/2 normally closed
B2204	 Series MVMB, thread G1/4" 5/2



Valve PMVMC2103 can be connected as normally open or normally closed. The air supply should be connected to the port marked NC or NO.

Order codes of actuators

PMVM BPPR



BPPx

BPPx

BEB

Function	
BPPB	push button black
BPPR	push button red
BPPG	push button green
BPBB	mushroom push button black
BPBR	mushroom push button red
BPBG	mushroom push button green
BEB	twist to release mushroom push button red
BTB	selector switch black
BLB	extended selector switch black
CR1	roller lever (only for PMVMC2103 valve)



BTB



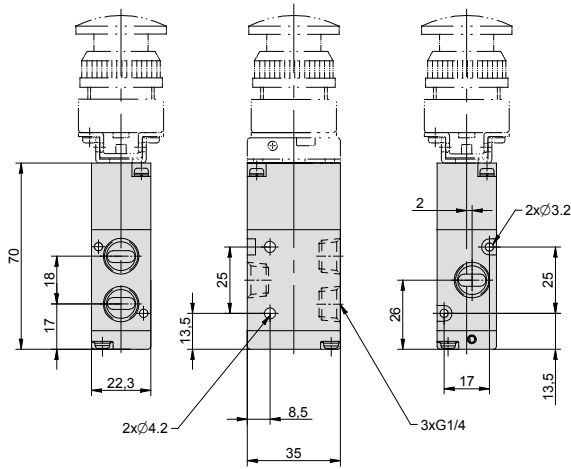
BLB



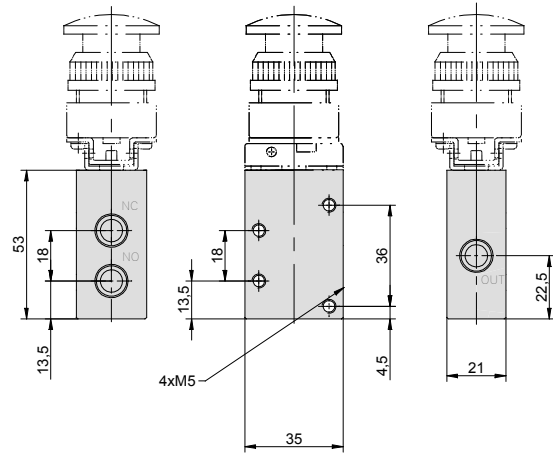
CR1

Dimensions

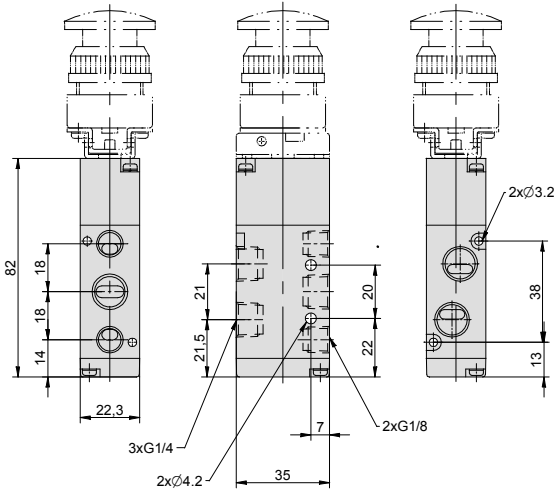
Type MVMB2203



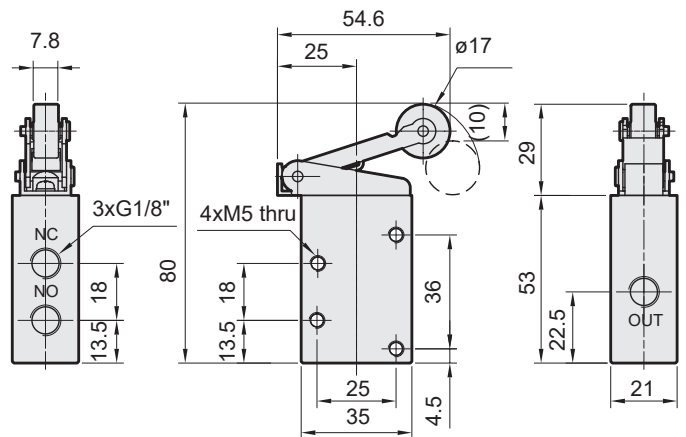
Type MVMC2103



Type MVMB2204

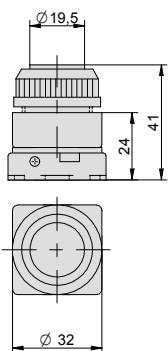


Type MVMC2103 with PMVMCR1 roller lever actuator

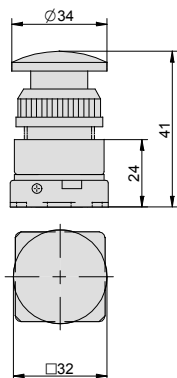


Actuators

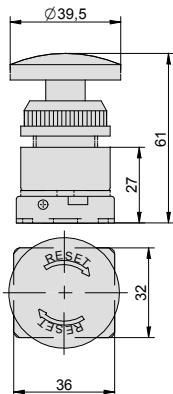
MVMBPPx



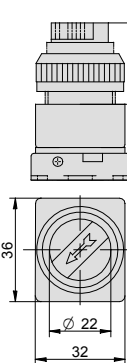
MVMBPBx



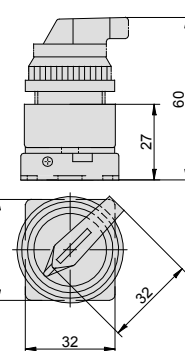
MVMBEB



MVMBTB



MVMBLB



Panel mounting hole

