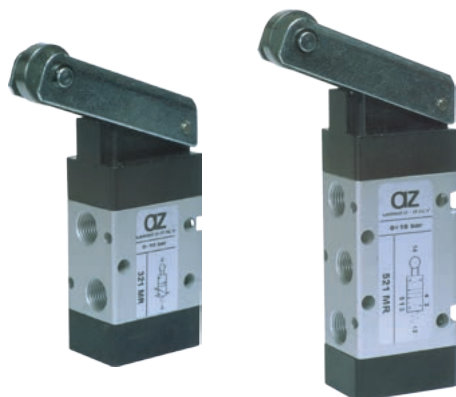


MECHANICALLY ACTUATED ROLLER LEVER VALVES





Valves are actuated by rolling the cam from the one or another side of the valve body. There are 3/2 normally closed and 5/2 valves available.

This valve series contains rubber gaskets.

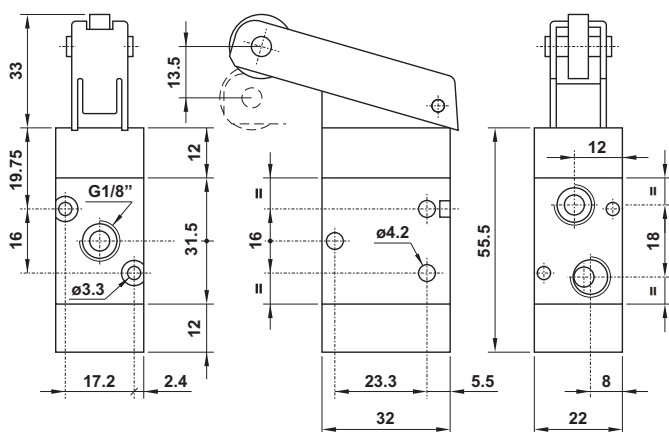
Ports	G1/8"
Flow capacity [Nl/min]	550
Working pressure [MPa]	vacuum to 1.0
Temperature range [°C]	-20 to +60
Actuating force [N]	10
Working medium	modified compressed air
Weight [kg]	0.15 (3/2), 0.18 (5/2)

Order codes

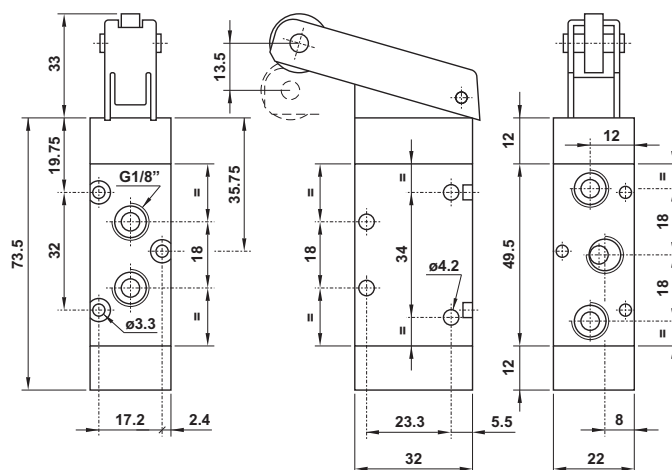
Ports	G1/8"
Valve 3/2 	2532 2090 0400 0008
Valve 5/2 	2552 2090 0400 0005

Dimensions

Valve 3/2



Valve 5/2



Technical data

Materials

body - aluminium alloy
caps - aluminium alloy, technopolymer
spring - stainless steel
seals - NBR
spool - nickel plated aluminium alloy
internal parts - brass
lever - zinc plated steel
roller - bearing

Flow rate

