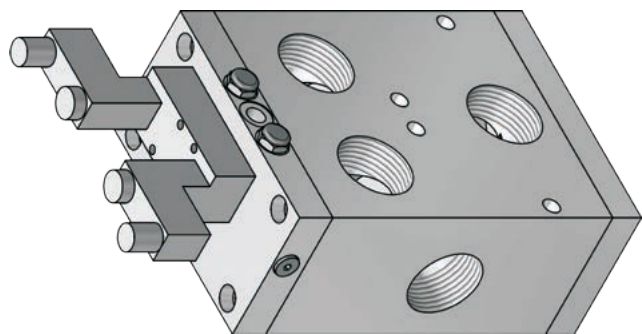


SOLENOID ACTUATED HIGH FLOW VALVES



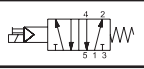
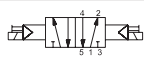
High flow valve series with flow capacity up to 28 000 NI/min is suitable for fast air supply of big appliances, or higher quantity of appliances which are supplied from common distribution. Valves are pilot operated, using smaller, standard electromagnetic actuated valves ISO 5599/1. These pilot valves are designed for external supply of compressed air, however the common supply is possible, but in this case, please contact our technical dept.

This valve series contains rubber gaskets.

Series	G1"	G1 ½"
Ports	G1"	G1 ½"
Connection of external pressure supply port	G1/4"	
Connection of pilot (12,14) for pneumatic actuating	G1/8"	
Flow capacity [NI/min]	16 000	28 000
Working pressure [MPa]	0 to 1.0 MPa when external pilot supply is used	
Pilot pressure range [MPa]	0.2 to 0.7	
Power input [W, VA]	2.5W for DC voltage, 6/4.9VA for AC voltage (inrush/hold)	
Response time for DC voltage [ms]	60	70
Response time for AC voltage [ms]	60	70
Temperature range [°C]	medium temperature max. 50, ambient temperature -20 to +50	

Order codes

25 52 80 90 20 30 000 1

Function		
52 80 90		5/2 monostable (with 1 coil)
52 80 80		5/2 bistable (with 2 coils)

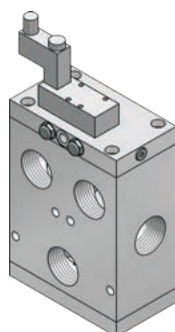
Size	
14	G1"
20	G1 ½"

Voltage	
30	24 V DC ± 10%
40	24 V AC ± 10%, 50-60 Hz
60	230 V AC ± 10%, 50-60 Hz

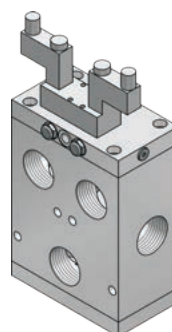
Pilot supply	
2	external (from port X), standard
1*	internal (from port 1)

*) Please consult with our technical dept.

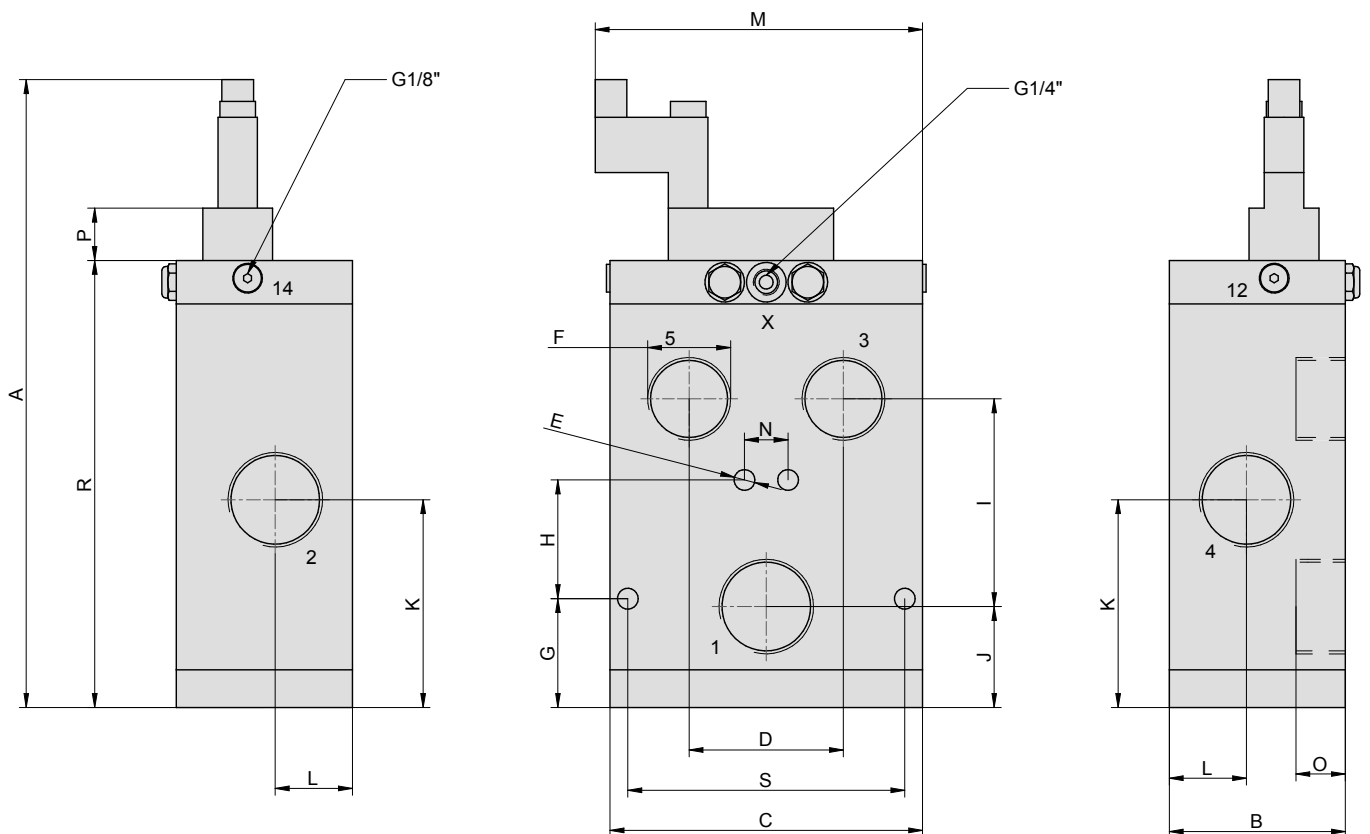
i Supply contains connector(s).



Function 52 80 90



Function 52 80 80

Dimensions


Series	A	B	C	D	E	F	G	H	I	J	K	L	M	N	O	P	R	S	Weight [kg]
52 80 x0 14	317	89	158	78	10.5	G1"	55	60	105	51	105	39	165.5	22	25	26.4	226	140	7.5
52 80 x0 20	317	89	158	78	10.5	G1 1/2"	55	60	105	51	105	39	165.5	22	25	26.4	226	140	7.5

Notes for connecting of valve

Valves are designed for independent, external air pilot supply (port X). It is not recommended, to merge air supply for main valve and for pilot valve, because a big flow through main valve may cause serious dropping of pressure for pilot valve and malfunction may occur.

