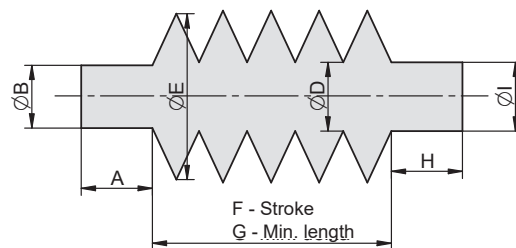


PISTON ROD PROTECTIVE COVER

- FOR ALL CYLINDER TYPES
- FOR ANY EQUIPMENT

Supply contains:
1 pc protective cover



Size	D	E	For cylinders Ø	Number of annulus for 100 mm stroke	Width of 10 pcs annulus	Order codes
5	20	60	32, 40	10	10	2195 0000 5 zzzz xxx
4	40	80	50, 63, 80	8	10	2195 0000 4 zzzz xxx
3	50	130	100, 125	4	10	2195 0000 3 zzzz xxx
2	60	155	160, 200	3	10	2195 0000 2 zzzz xxx
1	100	180	250, 320	3	10	2195 0000 1 zzzz xxx

Notice: zzzz means cover stroke in mm, xxx is ordinal number, which will be assigned by sales dept. on the base of A,B,H and I dimensions.

Material: double-sided hyped-up fabric, water, oil and dust resistant

Temperature range: -20 to +80°C

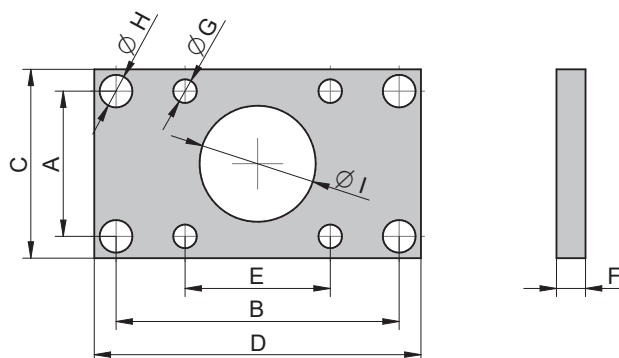
Covers are fixed by clamps - there is necessary to select proper size according to diameters, to which will be the cover fixed

We produce protective covers to customer's request (length, form, flange form. If you need protective cover for our pneumatic cylinder, just let us know order code of that cylinder and order code of mounting accessories, which is mounted on piston rod. If you need protective cover for another application, send us a request with dimensions which are important and we will send you offer by return.

FLANGE MOUNTING FOR CYLINDER

- CNOMO 06.07.02

Supply contains:
1 pc flange mounting
4 pcs nuts



Piston Ø	A	B	C	D	E	F	G	H	I	Weight	Order codes
32	33	68	45	80	33	8	6,5	9	25	0,18	2114 2000 0032 0000
40	40	78	52	90	40	8	6,5	9	32	0,23	2114 2000 0040 0000
50	49	94	65	110	49	10	8,4	11	32	0,47	2114 2000 0050 0000
63	59	104	75	120	59	10	8,4	11	45	0,56	2114 2000 0063 0000
80	75	130	95	150	75	12	10,5	14	45	1,13	2114 2000 0080 0000
100	90	150	115	170	90	12	10,5	14	55	1,54	2114 2000 0100 0000
125	110	180	140	205	110	16	13,5	18	55	3,13	2114 2000 0125 0000
160	140	228	180	260	140	20	16,5	22	65	6,48	2114 2000 0160 0000
200	175	268	220	300	175	20	16,5	22	65	9,46	2114 2000 0200 0000