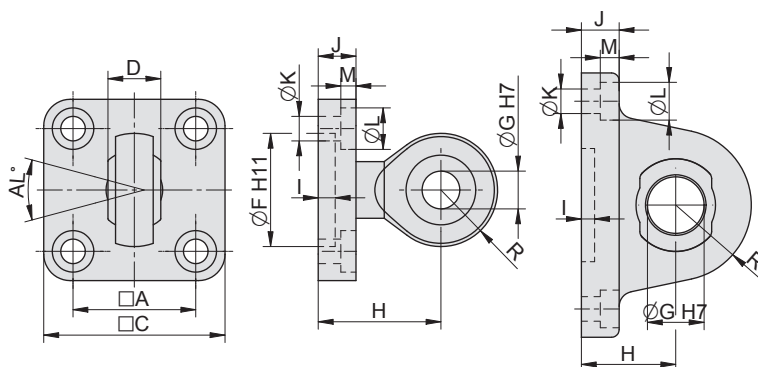


## SWIVEL FLANGE WITH SPHERICAL BEARING

- ISO 15552, VDMA 24562, NF E 49003.1
- DIN ISO 6431, VDMA 24562, NF E 49003.1
- COMPACT

Supply contains:

- 1 pc flange
- 4 pcs screws



Flange design for piston dia 125 and more

Piston Ø	A	AL	C	D	F	G	H*	I	J	K	L	M	R	Weight	Order codes
32	32.5	15	48	14	30	10	32.5	4.5	10	6.4	11	4	14	0.20	2101 3200 0032 0000
40	38	15	55	16	35	12	32.5	4.5	10	6.4	11	4	17	0.26	2101 3200 0040 0000
50	46.5	15	65	21	40	16	40	6.5	12	8.5	15	8	21.5	0.44	2101 3200 0050 0000
63	56.5	15	75	21	45	16	40	6.5	12	8.5	15	8	21.5	0.56	2101 3200 0063 0000
80	72	18	94	25	45	20	49	5.5	14	10.5	18	8	25	1.16	2101 3200 0080 0000
100	89	18	115	25	55	20	49	5.5	14	10.5	18	8	25	1.54	2101 3200 0100 0000
125	110	15	140	37	60	30	50	7	20	13	20	10	40	3.46	2101 3200 0125 0000
160	140	16	185	43	65	35	55	7	20	18	26	10	46	5.60	2101 3200 0160 0000
200	175	16	235	43	75	35	60	7	24	18	26	10	47	10.72	2101 3200 0200 0000
250	220	16	270	49	90	40	70	12	24	22	34	13	56	14.80	2101 3200 0250 0000
320	270	16	350	60	110	50	80	12	30	26	46	15	64	28.94	2101 3200 0320 0000

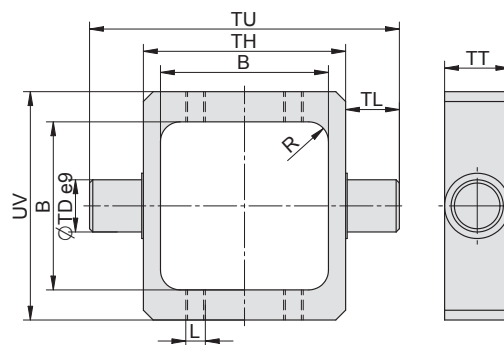
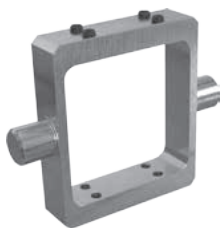
\*) For the swivel flanges for diameters 32-100 mm, the H value does not correspond to the ISO 15552 standard.

## PIVOT PIN FOR CYLINDER

- ISO 15552, VDMA 24562, NF E 49003.1

Supply contains:

- 1 pc pivot pin
- 8 pcs screws



Piston Ø	L	TD	TL	TH	TT	TU	UV	B	R	Weight	Order codes
32	M6	12	12	50	20	74	65	44.5	5	0.20	2102 4100 0032 0000
40	M6	16	16	63	20	95	70	51.5	6	0.31	2102 4100 0040 0000
50	M6	16	16	75	20	107	85	64.5	6	0.37	2102 4100 0050 0000
63	M6	20	20	90	25	130	95	75.5	8	0.61	2102 4100 0063 0000
80	M8	20	20	110	25	150	120	94	10	0.90	2102 4100 0080 0000
100	M8	25	25	132	30	182	130	112	10	1.63	2102 4100 0100 0000