

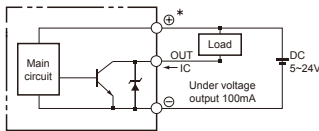
METFB-32 series

SLIDER ELECTRIC CYLINDER (WITHOUT MOTOR)



Motor type	Servo / Step	Transmission	Timing belt
Environment	Standard	Guide type	Linear guide

Sensor layout



Specification

Model		METFB-32
Position repeatability	(mm)	±0.05
Lead	(mm/rev)	72
Belt pitch	(mm)	3
Stroke	(mm)	100~2000/50 pitch
No-load torque	(N.m)	0.2
Sensor switch		EE-SX672 (NPN)

Motor type		AC servo	Step
Motor output / size		200W	□42
Max. speed *1	(mm/s)	2400	720
Work load *2	Horizontal (kg)	9	4
	Vertical (kg)	—	—

*1. Acceleration and deceleration value is set 0.5 second.

*2. The operating speed under work load is less than maximum speed.

Order example

METFB-32 N - 1000 BW - M10 B - A3 - XA00

Model Size Stroke Special order No.

100~2000 mm
50 mm pitch

Guide installation		Motor position		Motor band		Power output		Brakes		Limit sensor	
N	Without guide	BW	Motor top side	M	Mitsubishi	20	200W Servo	-	No brake	-	No sensor
GR	Guide right side	BM	Motor bottom side	P	Panasonic			B	With brake	A1	1 pc
GL	Guide left side			Y	Yaskawa			A2	2 pcs		
				D	Delta			A3	3 pcs		
				S	Mindman	42	□42 Step				

Weight

Unit: kg

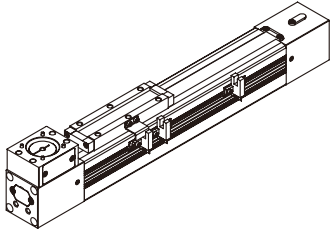
Model	Basic weight METFB-32N	Stroke 100 mm METFB-32N	Basic weight (with guide) METFB-32G*	Stroke 100 mm (with guide) METFB-32G*
Size				
ø25	2.06	0.36	2.7	0.49

* The form is the weight of the type of motor top side.

METFB-32 Motor specification

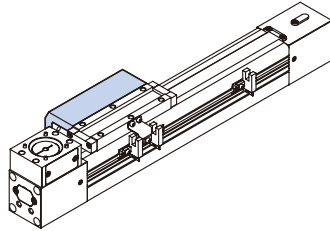
SLIDER ELECTRIC CYLINDER (WITHOUT MOTOR)

Guide installtion



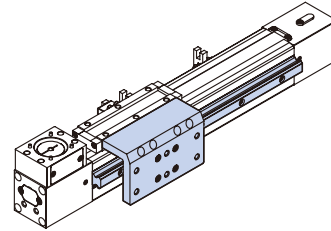
N

Without guide



GR

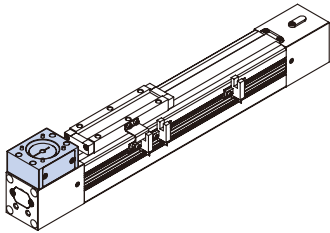
Guide right side



GL

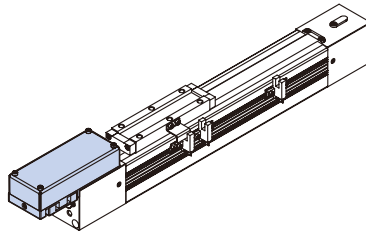
Guide left side

Motor position



BW

Motor top side



BM

Motor bottom side

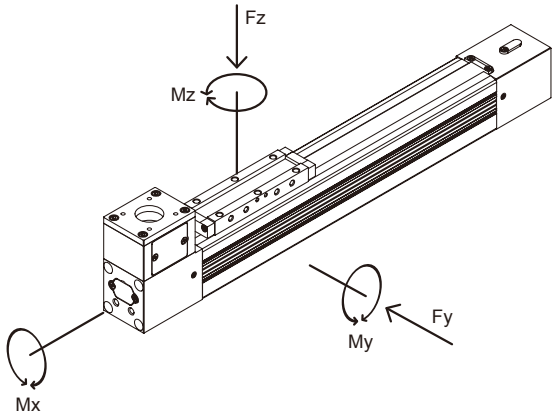
Standard motors

Brand	Mark	Power output	Motor model (Without brake)	Motor model (With brake)	Motor rod dia. (mm)	Motor mount P.C.D (mm)	Mounting port (mm)
Mitsubishi	M	200W	HG-KN23J	HG-KN23B J	ø14	70	4-ø5.8
Panasonic	P	200W	MHMF022L1U2M	MHMF022L1V2M	ø11	70	4-ø4.5
Yasukawa	Y	200W	SGM7J-02A7A21	SGM7J-02A7A2C	ø14	70	4-ø5.5
Delta	D	200W	ECMA-C20602PS	ECMA-C20602FS	ø14	70	4-ø5.5
Mindman	S	□42	-	-	ø5	□31	4-M3×4.5L

* If your inquiry is not included in above table, please kindly contact us.

METFB-32 Capacity

SLIDER ELECTRIC CYLINDER (WITHOUT MOTOR)



Forces & Moments

Model	Mx	My	Mz	Fy	Fz	
	Max. allowed moment (N.m)			Max. allowed load(N)		
METFB-32	Without guide	5.5	22	22	–	500
	With guide	47.5	48	48	2800	3300

Attention: In case of undefinable situations the above max. values have to be reduced by 10~20%.

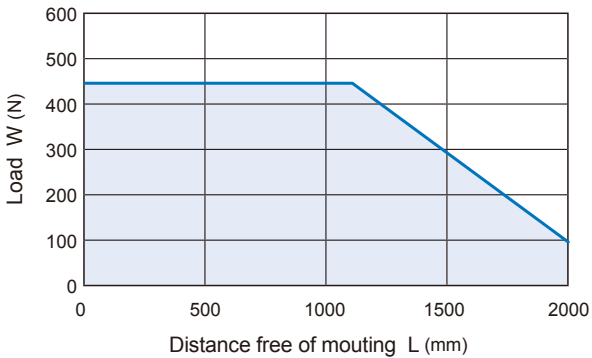
Please refer to the following formula when combined loads are applied.

$$\frac{M_{xA}}{M_x} + \frac{M_{yA}}{M_y} + \frac{M_{zA}}{M_z} + \frac{F_{yA}}{F_y} + \frac{F_{zA}}{F_z} \leq 1$$

* The A letters show the calculated value.

Positioning of cylinder mountings

METFB-32 Without guide



METFB-32 With guide

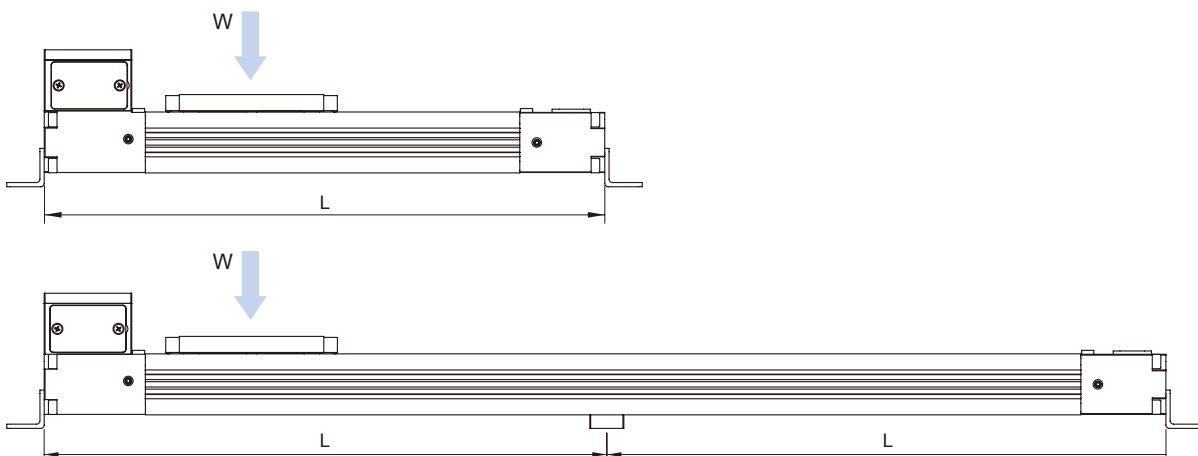
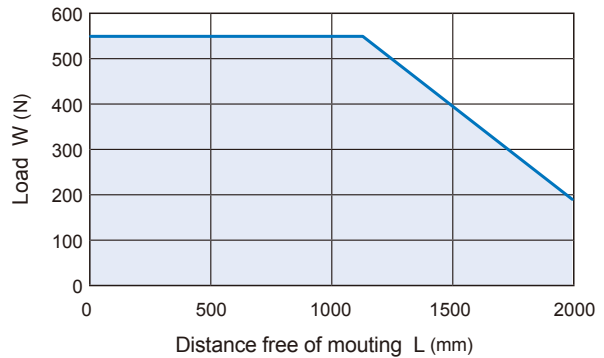


Diagram information

- Calculated deflections without support of 0.5~1 mm allow exceeding of the approved limits.
- Calculated deflections without support of > 1~1.5 mm require reduction of approved limits.

METFB-32 Dimensions

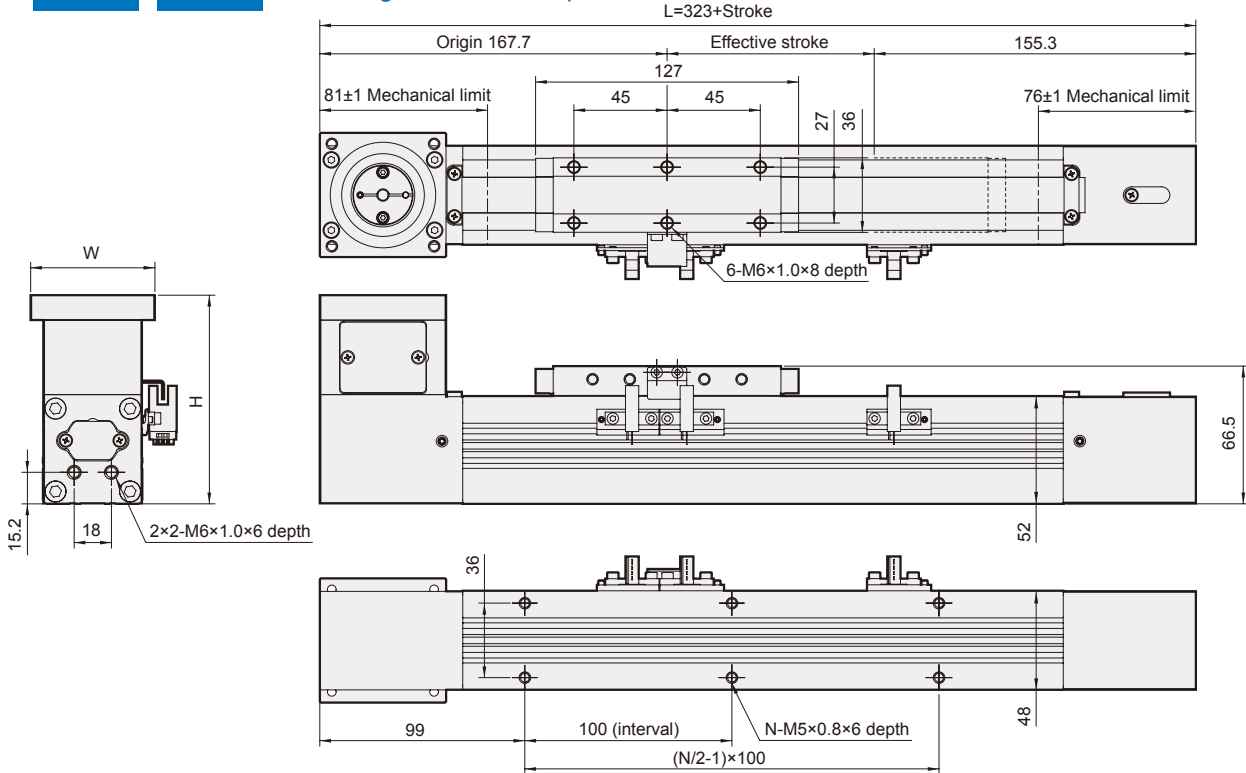
SLIDER ELECTRIC CYLINDER (WITHOUT MOTOR)



N

BW

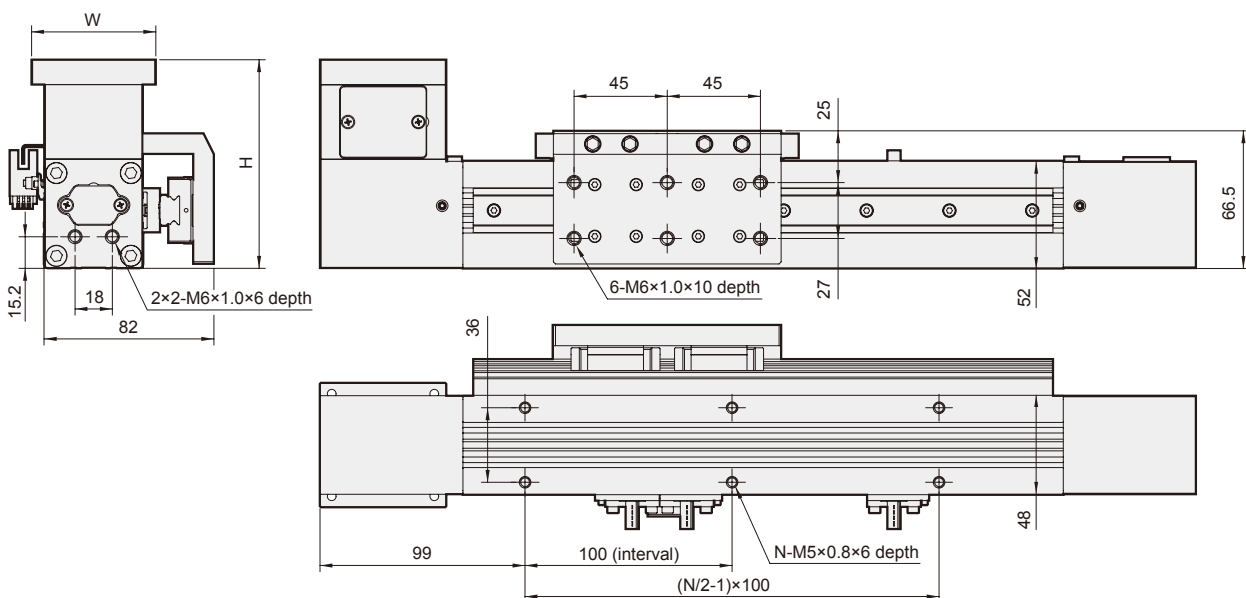
Without guide • Motor top side



GL

BW

Guide left side • Motor top side



Unit: mm

Stroke Code	100	200	300	400	500	600	700	800	900	1000	1100	1200	1300	1400	1500	1600	1700	1800	1900	2000
L	423	523	623	723	823	923	1023	1123	1223	1323	1423	1523	1623	1723	1823	1923	2023	2123	2223	2323
N	6	8	10	12	14	16	18	20	22	24	26	28	30	32	34	36	38	40	42	44

Stroke Code	Servo	Step
W	60	47.6
H	100.8	94.8

METFB-32 Dimensions

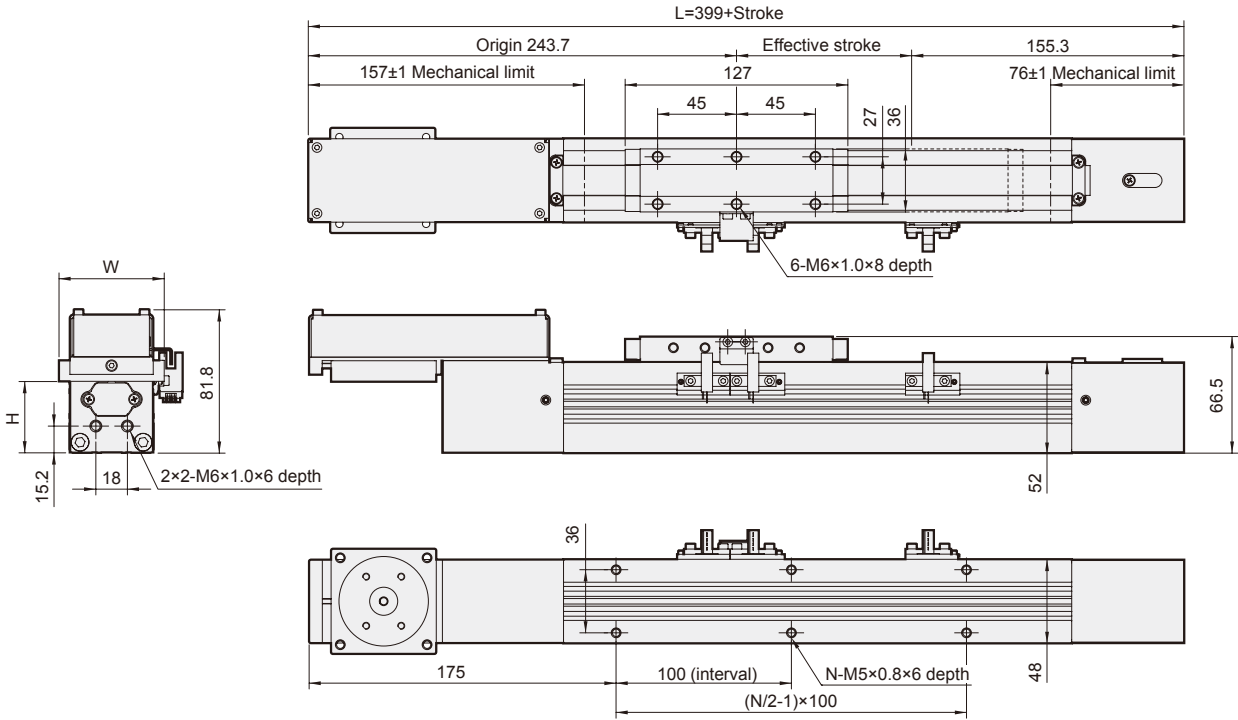
SLIDER ELECTRIC CYLINDER (WITHOUT MOTOR)



N

BM

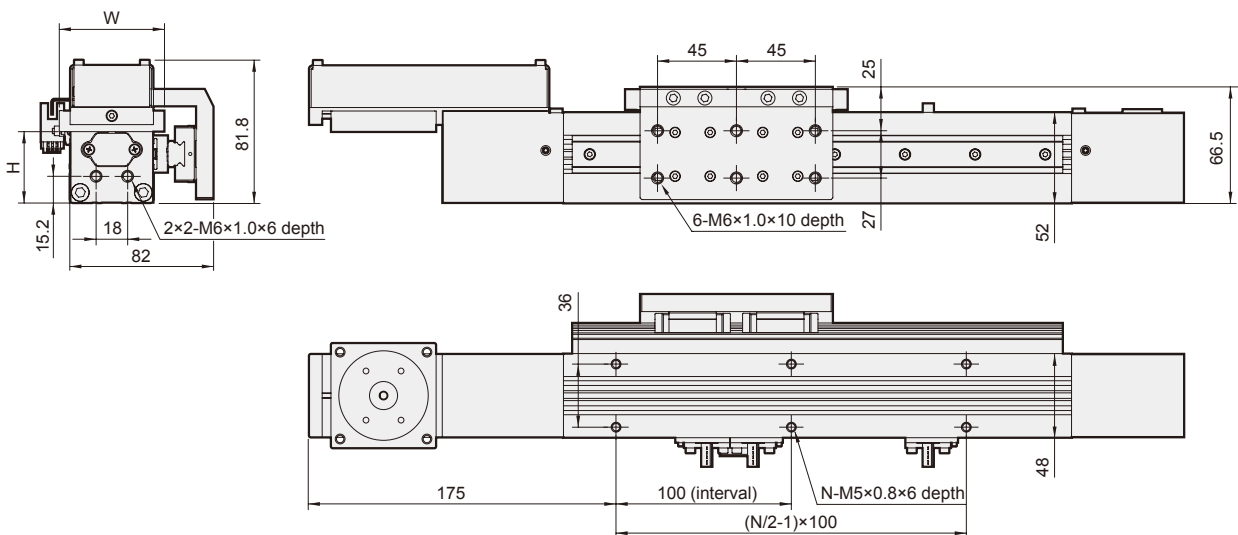
Without guide • Motor bottom side



GL

BM

Guide left side • Motor bottom side



Unit: mm

Stroke Code	100	200	300	400	500	600	700	800	900	1000	1100	1200	1300	1400	1500	1600	1700	1800	1900	2000
L	499	599	699	799	899	999	1099	1199	1299	1399	1499	1599	1699	1799	1899	1999	2099	2199	2299	2399
N	6	8	10	12	14	16	18	20	22	24	26	28	30	32	34	36	38	40	42	44

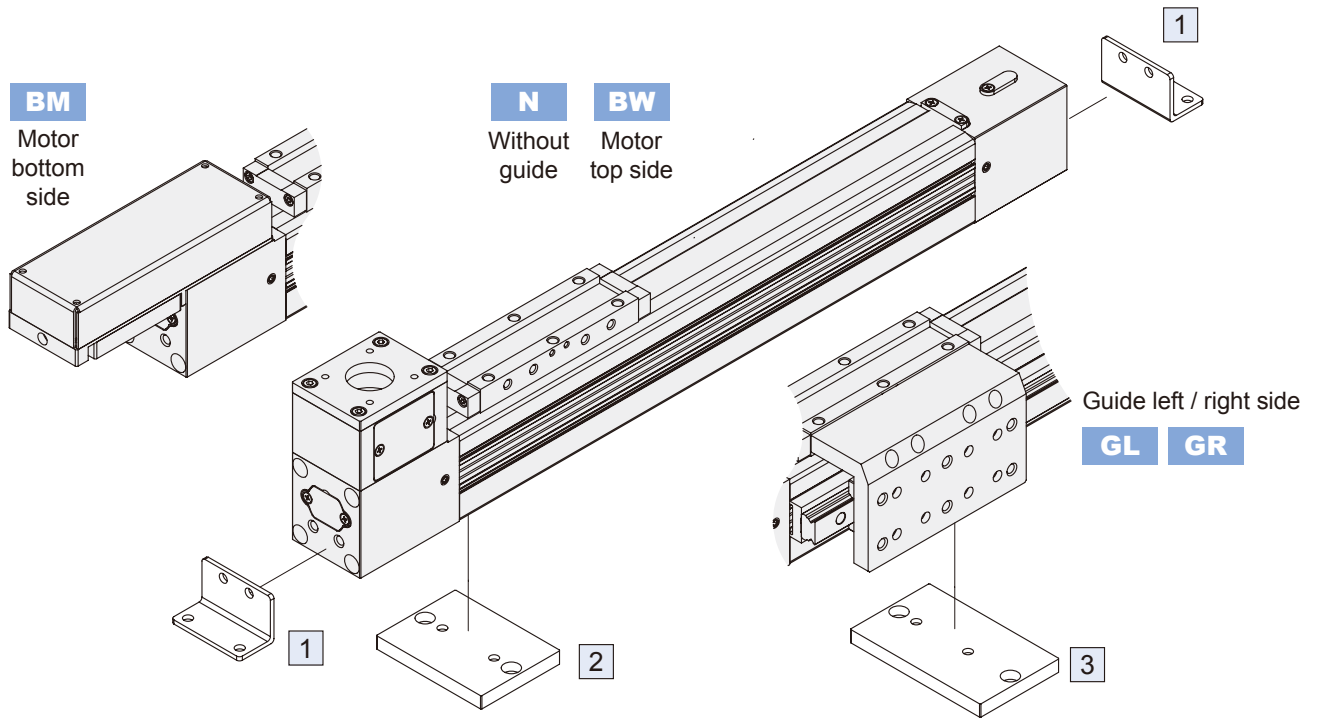
Stroke Code	Servo	Step
W	60	47.6
H	40.8	42.8

METFB-32 Mounting accessories

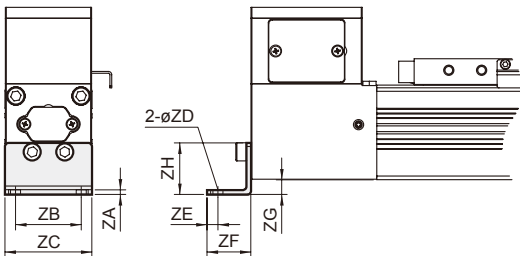
SLIDER ELECTRIC CYLINDER (WITHOUT MOTOR)



Mindman

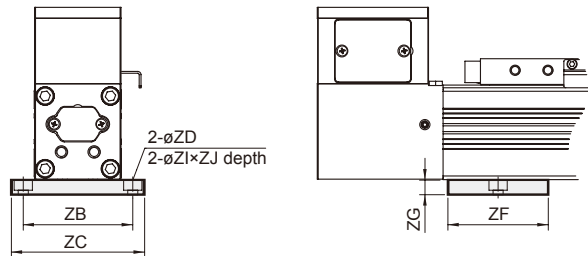


1 End cover bracket (2pcs/set)

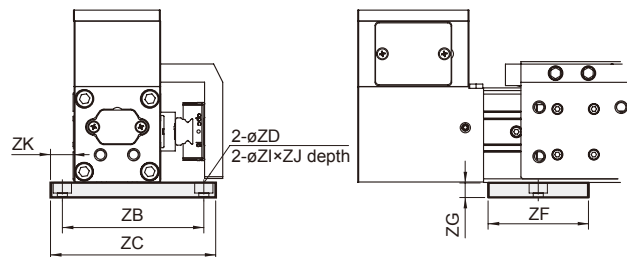


* Not applicable for (BM) motor bottom side.

2 Mid section support *Applicable for (N) without guide.



3 Mid section support * Applicable for (GR / GL) with guide.



Unit: mm

Item	ZA	ZB	ZC	ZD	ZE	ZF	ZG	ZH	ZI	ZJ	ZK	Weight (g)	Order number
1	2.5	36	47.6	5.5	6	24	8	28.3	-	-	-	46	ETFB32-1
2	-	60	72	5.5	-	55	8	-	10	5.5	-	82	ETFB32-2
3	-	78	90	5.5	-	55	8	-	10	5.5	12.5	103	ETFB32-3