



### Specification

Model	MECQ1	
Input voltage	DC 24V ±10%	
Number of axis	Control 16 axes by daisy-chaining through RS-485 port	
Dimension (mm)	W134 × H83 × D26.5	
Motor size	□20 / □28 / □35 / □42 / □56	
Encoder	Incremental A/B/Z (4000PPR)	
Operation mode	I/O trigger, Communication control	
Motion control mode	ABS mode	
	INC mode	
	Continuous mode	
	Push mode	
Position	Number of rows	256
	Rows setting	I/O, Software

### Order example

**MECQ1 – 20L**

Controller

Motor size

Motor size	Motor size
20L	□20
28L	□28
35L	□35
42L	□42
56L	□56

### Accessories

**MECQ1 – S015**

Controller

Cable length

Cable length	Cable length
S015	1.5 m
S03	3 m

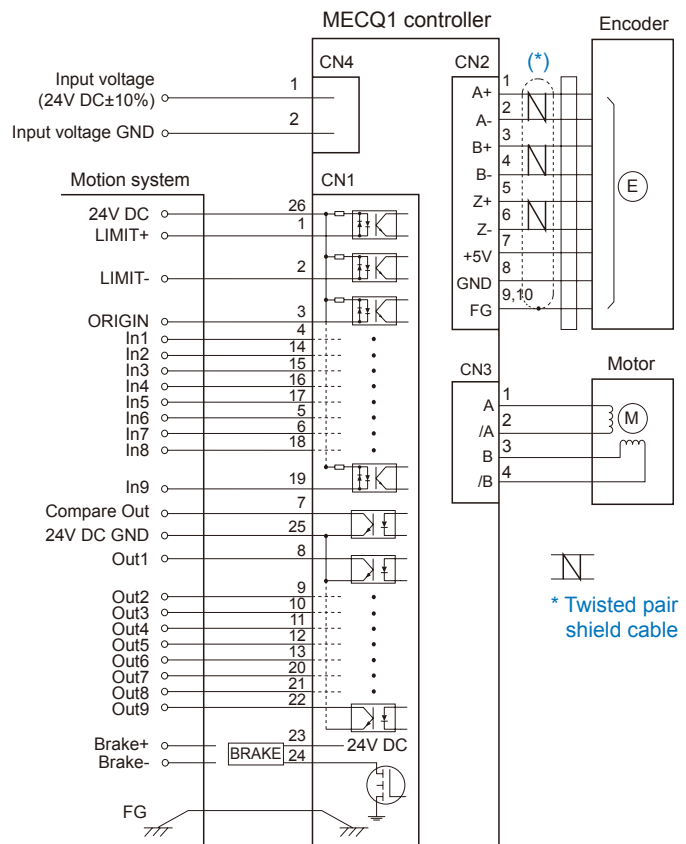
\* Actuator cable = Encoder cable + motor cable

Actuator cable*	Actuator cable*
M015	1.5 m
M03	3 m
M05	5 m

Power connection

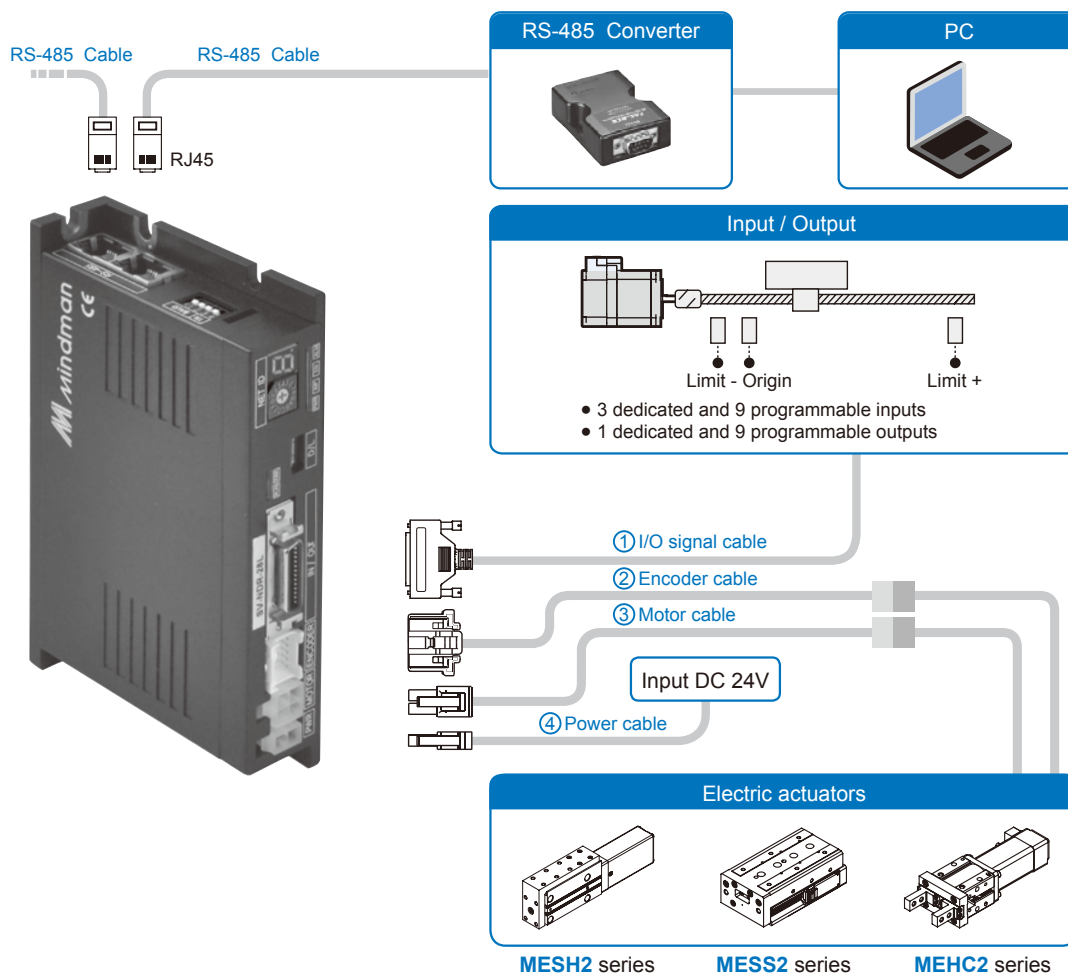
P

### External wiring diagram

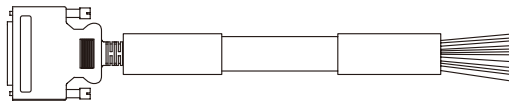
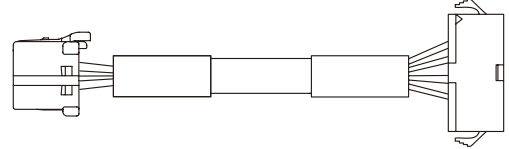
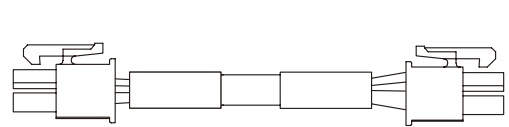
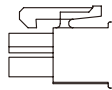


### Caution

- Please refer to the manual when connects motor extension cable.
- Careful connection will be required to protect any damages.



### Accessories

No.	Purpose	Item	Note	Exterior		
①	I/O signal cable	Shell	10326-52FO-008	Isolation		
		Connector	10126-3000PE			
②	Encoder cable	Drive side	Housing	51353-1000	Isolation + Flexible	
		Terminal	56134-9000			
	Encoder side	Housing	SMP-09V-NC			
	Terminal	SHF-001T-0.8BS				
③	Motor cable	Drive side	Housing	5557-04R	Flexible	
		Terminal	5556T			
	Motor side	Housing	5557-04R			
	Terminal	5556T				
④	Power connection	Housing	5557-02R	Housing and terminal only		
		Terminal	5556T			